

TECHNOLOGY FOR THE WELDER'S WORLD.



# ABICAR ADVANCED & 1200 PRO

## Welding Tractors



[www.binzel-abicor.com](http://www.binzel-abicor.com)

# ABICAR ADVANCED

## Features & Benefits

The ABICAR ADVANCED is the ideal welding tractor or horizontal and vertical fillet welds. Compact, lightweight, and easy to operate - the ABICAR ADVANCED is a great entry into semi-automated solutions.

### Features & Benefits

- Adjustable speed up to 1,100 mm/min
- Compatible with guide rails if required
- Practical additional functions such as automatic start/stop
- Optimum process control due to adjustable speed during operation
- 4-axis torch adjustment for flexible positioning of the torch before starting
- Cable connection to the wire feed unit, for on/off signal

## Full System Breakdown



## Technical Data

<b>Type:</b>	Fillet Welding Tractor	<b>Min. component thickness:</b>	4 mm
<b>Weight:</b>	8 kg	<b>Ground clearance:</b>	4 mm
<b>Dimensions:</b>	265 x 259 x 240 mm	<b>Possible welding positions:</b>	PA/1F/1G PB/2F PC/2G PD/4F PE/4G
<b>Speed:</b>	Horizontal: 0 - 110 cm/min Vertical: 0 - 100 cm/min		
<b>Circumferential seams:</b>	Weldable (min. r=1000 mm)		
<b>Main fuse:</b>	115 - 230 V		

# ABICAR 1200 PRO

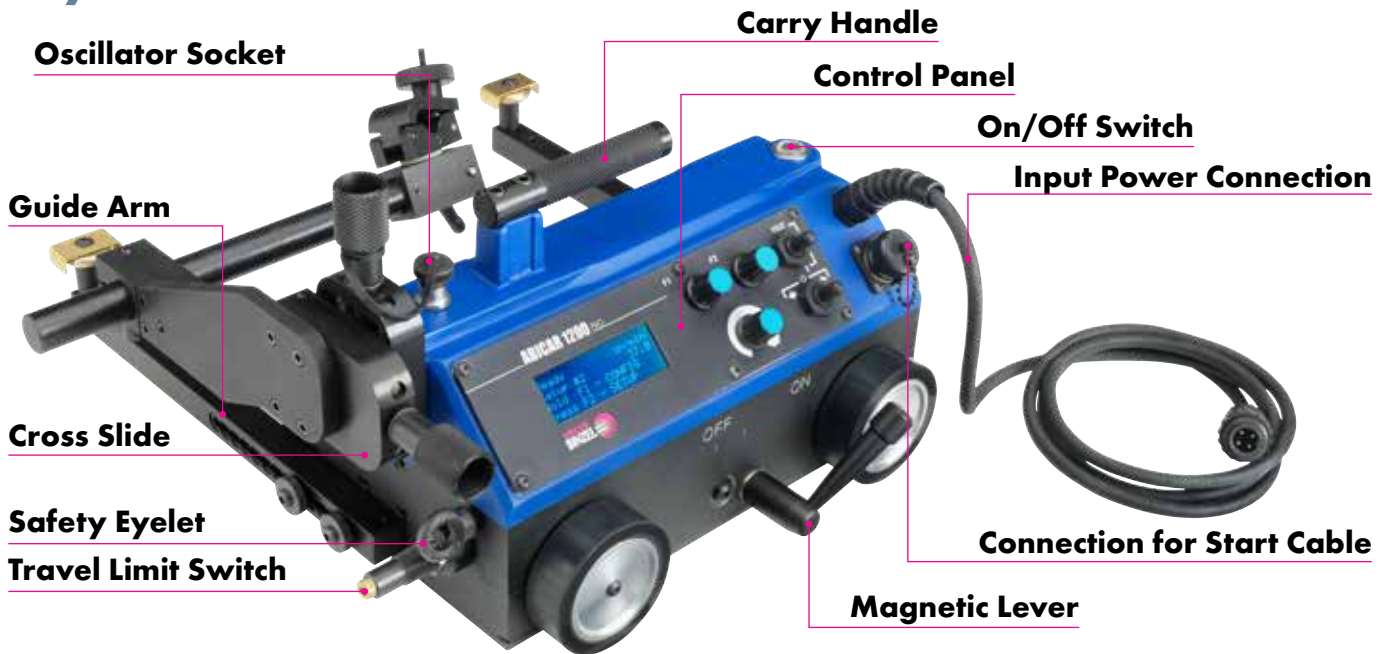
## Features & Benefits

The ABICAR 1200 PRO produces consistent, quality weld seams in the most adverse conditions for technical equipment. Tougher than the ABICAR ADVANCED - for reliable semi-automated welding in the most challenging conditions.

### Features & Benefits

- Adjustable speed up to 1,200 mm/min
- Optional oscillating unit with a wide range of options
- 4-axis torch adjustment for flexible positioning of the torch
- Cable connection to the wire feed unit, for on/off signal
- Programmable welding modes for continuous welding, stitch, and oscillating patterns
- Clear display showing real-time speed, swing dwell time, pendulum length, and oscillating speed

## Full System Breakdown

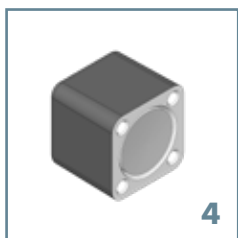


## Technical Data

<b>Type:</b>	Programmable welding tractor for fillet & butt welds	<b>Min. component thickness:</b>	5 mm
<b>Weight:</b>	14 kg	<b>Ground clearance:</b>	5 mm
<b>Dimensions:</b>	401 x 372 x 236 mm	<b>Possible welding positions:</b>	PA/1F/1G PB/2F PC/2G PD/4F PE/4G PF/3F/3G with oscillator
<b>Speed:</b>	Horizontal: 0 - 120 cm/min Vertical: 0 - 110 cm/min		
<b>Circumferential seams:</b>	Weldable (min. r=1500 mm)		
<b>Main fuse:</b>	115 - 230 V		

# ABICAR ADVANCED & 1200 PRO

## Part Numbers & Spare Parts



### ABICAR ADVANCED and ABICAR 1200 PRO

Pos.	Description	PU	Part number
1	ABICAR ADVANCED	1	522.0274.1
2	ABICAR 1200 PRO	1	522.0275.1

### Accessories optional

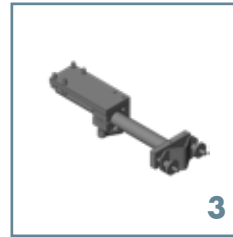
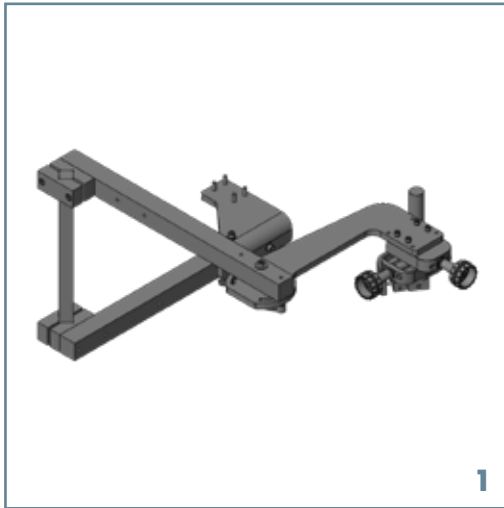
Pos.	Description	PU	Part number
3	Flexible guide rail (185 cm) <sup>1</sup>	1	522.0185.1
4	Magnetic block for flexible guide rail <sup>2</sup>	10	522.0186.10
5	ABICAR ADVANCED guide arm for flexible guide rail	2	522.0188.2
6	ABICAR 1200 PRO guide arm for flexible guide rail	2	522.0198.2
not fig.	Adjustment tool for flexible guide rail	1	522.0187.1
not fig.	Optional oscillating unit incl. mounting kit and cable support (1200 PRO only)	1	522.0183.1

<sup>1</sup> When purchasing a flexible guide rail, items 4 and 5 or item 6 must also be ordered.

<sup>2</sup> 1 package of magnets for 1 x guide rail

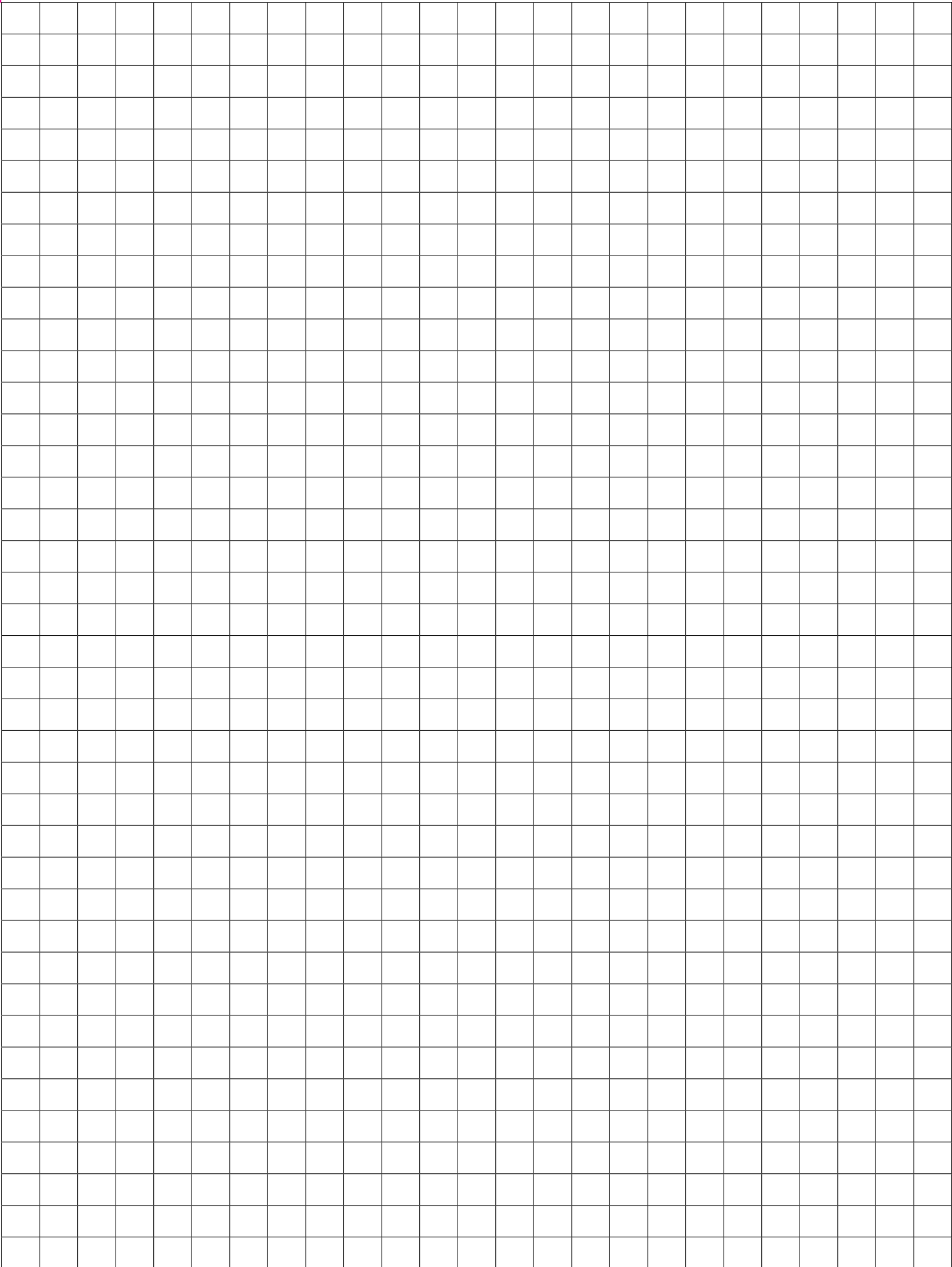
# ABICAR ADVANCED & 1200 PRO

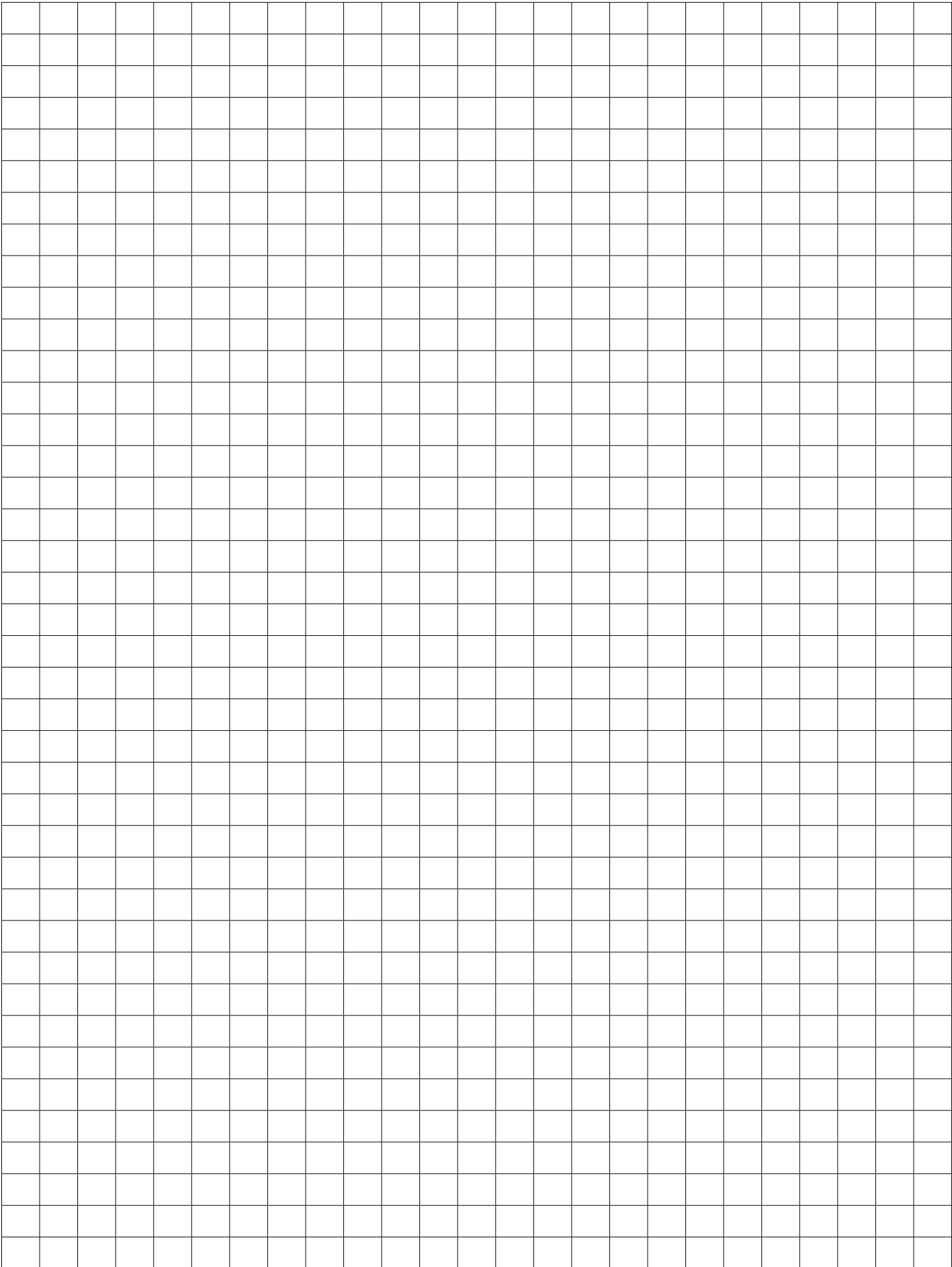
## Part Numbers & Spare Parts



ABICAR ADVANCED				ABICAR 1200 PRO			
Optional				Optional			
Pos.	Description	PU	Part no.	Pos.	Description	PU	Part no.
1	Double torch mounting	1	522.0192.1	3	Torch Cable support	1	522.0193.1
2	Wheel, Knurled, stainless steel	4	522.0194.4	4	Guide arm for outer edges	2	522.0197.2
3	Torch Cable support	1	522.0193.1	2	Wheel, Knurled, stainless steel	4	522.0200.4
4	Guide arm for outer edges	2	522.0190.2				
Spare parts				Spare parts			
Pos.	Description	PU	Part no.	Pos.	Description	PU	Part no.
5	Guide arm, standard	2	522.0189.2	5	Guide arm, standard	2	522.0196.2
6	Knurled screw, Guide Arm	2	522.0191.2	6	Knurled screw, Guide Arm	4	522.0199.4
7	Wheel, rubberized	4	522.0195.4	7	Wheel, rubberized	4	522.0201.4
8	Insulating sleeve	1	522.0205.1				

Depending on the individual order, there may be deviations from the pictorial representation.







ABICOR BINZEL USA, Inc.  
650 Medimmune Court, Suite 110  
Frederick, MD 21703  
Phone: 800.542.4867  
Fax: 301.846.4497  
E-Mail: [customerservice@abicorusa.com](mailto:customerservice@abicorusa.com)

[www.binzel-abicor.com](http://www.binzel-abicor.com)