

# **xFUME™ ROBO**

## **Installation Instructions**

**for ABIROB Air-Cooled Over-Arm Torches**

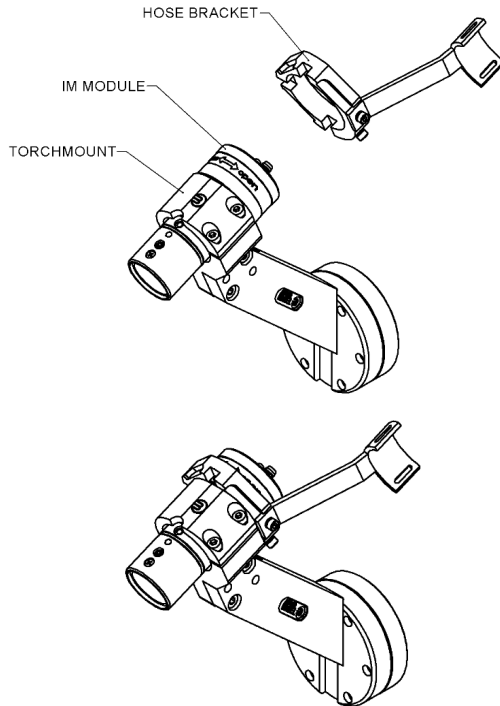
**INT.9041**



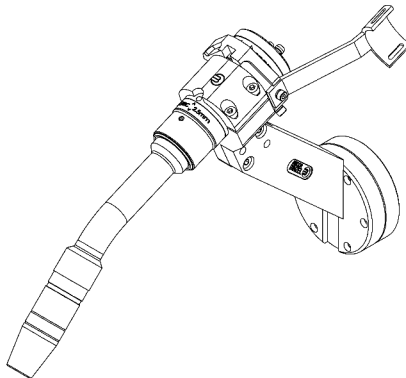
## Before Installation Begins

Before installing the xFume Robo-ABIROB A kit:

- Install xFume Robo Air-Cooled OverArm Multi-Position Bracket over the intermediate module behind the torch mount. The bracket allows for three position options: over the top, left side or right side. This allows the user to determine the best possible routing for the vacuum hose per the specific application.

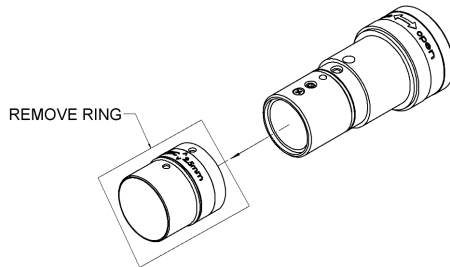


- The torch can then be mounted as usual.

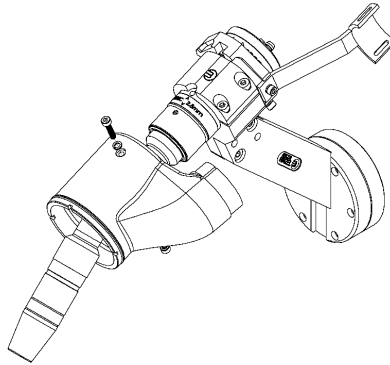


## 1 Install Housing

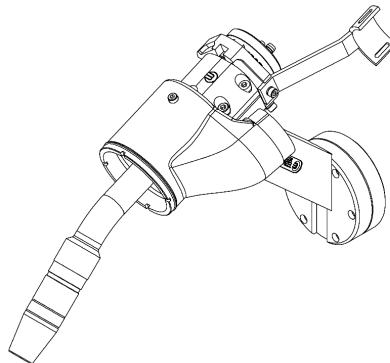
- The IM (intermediate module) cover ring must be removed from the IM



- Install RoboFume™ housing by sliding it over the IM. Be sure that housing is fully seated to the rear.

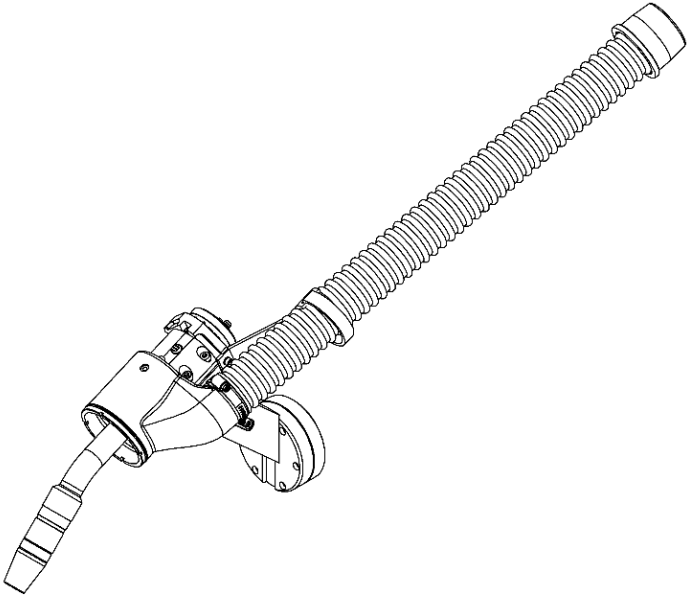


- Rotate the housing to align the vacuum hose port with the multi-positional bracket. Tighten the locking screws against the IM just enough to secure the housing in position. Be careful not to over-tighten/strip the holes.



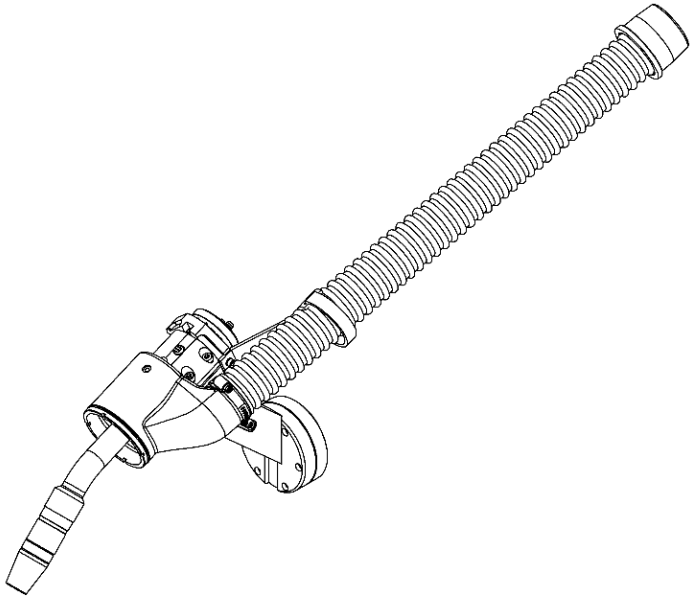
## 2 Install Suction Hose

- Install 1.5" suction hose by inserting the coupler into the vent tube. Gently snug the worm-drive clamp to secure hose coupler in place.



### 3 Install Hose Straps

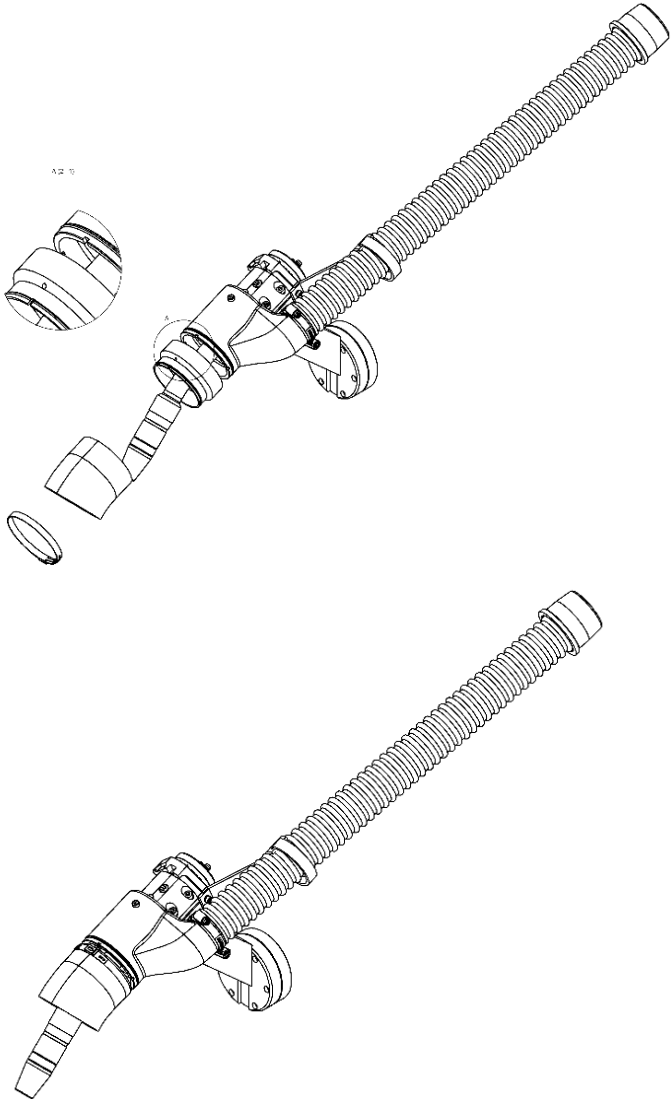
- There are two 8-in heavy duty straps included in the kit. These straps can be used to secure the suction hose to the cable assembly, robot arm, or peripheral bracketry. Special care should be taken to ensure the hose is allowed to move through the entire range-of-motion of the robot without excessive tension or snagging.



- Secure the 1/2" hook-n-loop strap on the multi-position bracket around the suction hose. Ensure the hose is in a "neutral" position that is not pushing or pulling on the main housing when the strap is secured.

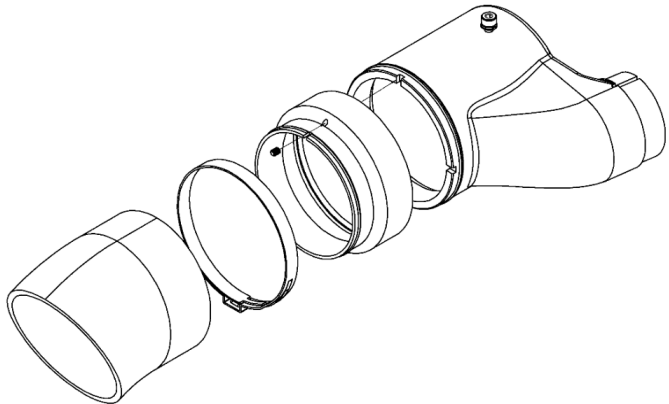
## 4 Install Suction Boot

- Lastly, snap the suction boot ring assembly onto the xFume Robo housing. Rotate the boot mount on the housing until it locks into position; there are four possible positions at 90° to each other.
- The suction boot should be concentric with the swanneck. If it is not, gently pull out on the suction boot mount and rotate until it aligns with the correct locked position.



## 5 Proper Boot/Ring/Clamp Alignment

- When replacing the suction boot, or initial install on non-standard swannecks where the suction boot is purchased separately, assemble the suction boot, clamp, and mounting ring as follows:
- Orient the suction boot so that the seam line on the top (outer) curvature is in line with the set-screw/rotational positioner on the ring. It is recommended to do this with the xFUME Robo housing already installed on the torch to ensure proper orientation/positioning of the suction boot. Align the clamp ear with the bottom (inner) seam line on the suction boot. Before clamping, ensure the boot is fully seated on the mounting ring and that it is more-or-less concentric with the swanneck/nozzle.
- Note: if the suction boot does not appear to be more-or-less concentric with the swanneck it may be due to the boot being installed backwards. Try placing the opposite end of the boot onto the mounting ring. If the boot is still not concentric, try to skew the boot on the ring as necessary before clamping.



**NOTE:** For optimal fume extraction performance, the xFUME Robo should be paired with a vacuum capable of pulling the following minimum static vacuum pressures measured at the end of the 5' suction hose: 22" w.c. for solid wires, 40" w.c. for cored wires. Performance may vary depending on robot position to the arc.

# Danger

• Read and follow the manufacturer's instructions, employer's safety practices and Material Safety Data Sheets (MSDSs).

• Only qualified personnel should install, use or service this material and/or equipment.



**ELECTRIC SHOCK can kill.**  
 • Always wear dry insulating gloves.  
 • Do not touch live electrical parts.  
 • Always disconnect power source before hooking up or changing electrodes, nozzles and other parts.



**WELDING SPARKS can cause fire or explosion.**

- Do not weld near flammable material.
- Do not weld on closed containers.
- Remove combustibles from the work area and/or provide a fire watch.
- Avoid oily or greasy clothing as a spark may ignite them.



**FUMES AND GASES can be hazardous to your health.**

- Keep your head out of the fumes.
- Use enough ventilation or exhaust at the arc to keep fumes and gases from your breathing zone, and the general area.
- Fumes from welding and cutting can deplete air quality, causing injury or death. Always wear an air supplied respirator in confined areas or if breathing air is not safe.



**ARC RAYS can injure eyes and burn skin.**

- Always wear correct eye, ear and body protection.
- Always wear a welding helmet with the proper grade filter lens. Protect yourself and others from spatter arc flash rays by using protective screens, barriers and welding curtains.
- Always wear protective gloves and clothing to cover exposed skin. This will aid in the prevention of arc and spatter burns.



**LOUD NOISE can damage hearing.**

- Always wear protective hearing devices to ensure protection when noise levels exceed OSHA standards.

**Do Not Remove This Label.**

ID 123-4567C1

**ABICOR BINZEL USA, Inc.**

650 Medimmune Court, Suite 110, Frederick, MD 21703  
 Tel: (301)846-4196 Fax: (301)846-4497 www.binzel-abicor.com

**Read American National Standard Z49.1, "Safety in Welding, Cutting and Allied Processes" available from the American Welding Society, 8669 NW 36 St #130, Miami, FL 33166; OSHA Safety and Health Standards, available from U.S. Government Printing Office, Washington, DC 20402**



BINZEL, S.A. DE C.V.  
 Municipio de Pabellon de Arteaga 102  
 Valle de Aguascalientes, 20358  
 San Francisco de los Romo, Ags.  
 MEXICO  
 Tel: +52(499) 9730133  
 Fax: +52(449) 9731388  
 Email: www.binzel.com.mx

ABICOR BINZEL USA, Inc.  
 650 Medimmune Ct., Suite 110  
 Frederick, MD 21703-8619  
 Tel: 301.846.4196  
 Fax: 301.846.4497  
 Email: customerservice@abicorusa.com

**www.binzel-abicor.com**