

TECHNOLOGY FOR THE WELDER'S WORLD.



TIG Torches & Accessories



www.binzel-abicor.com



Content

TIG Welding Torches	
TIG Welding Torches Part Numbers Air-cooled and Water-cooled	Page 04-05
TIG Welding Torches Air & Water-cooled 80 - 180 amp 24, 24V, 24W	Page 06-07
TIG Welding Torches Air-cooled 125 amp 9, 9V, 9F, 9FV, 9P	Page 08-09
TIG Welding Torches Air-cooled 150 amp 17, 17V, 17F, 17FV	Page 10-11
TIG Welding Torches Air-cooled 200 amp 26, 26V, 26F, 26FV	Page 12-13
TIG Welding Torches Water-cooled 250 amp 20, 20F, 20M, 20P, 25	Page 14-15
TIG Welding Torches Water-cooled 350 - 500 amp 18, 18V, 18P	Page 16-17
TIG Welding Torch Diagrams Hook-up Installation Diagrams	Page 18-19
Accessory Kits	
Master Accessory Kits and Hook-up Kits	Page 20-21
Tungsten Electrodes	Page 22-23
Tungsten Grinders & Cutters	Page 23

TIG Welding Torches

Air and Water-cooled

80 Amp Air-cooled

Torch Description	Part Number
Torch head 60 degrees	24-60D
Torch head 90 degrees	24-90D
Torch assembly 2 piece 12' 6"	24-12-2
Torch assembly 1 piece 12' 6" rubber	24-12-R
Torch assembly 2 piece 25'	24-25-2
Torch assembly 1 piece 25' rubber	24-25-R
Torch head w/valve 60 degrees *	24V-60D
Torch head w/valve 90 degrees	24V-90D
Torch assembly w/valve 2 piece 12' 6"	24V-12-2
Torch assembly w/valve 1 piece 12' 6" rubber	24V-12-R
Torch assembly w/valve 2 piece 25'	24V-25-2
Torch assembly w/valve 1 piece 25' rubber	24V-25-R

180 Amp Water-cooled

Torch Description	Part Number
Torch head 60 degrees	24W-60D
Torch head 90 degrees	24W-90D
Torch assembly 12' 6" *	24W-12
Torch assembly 1 piece 12' 6" rubber	24W-12-R
Torch assembly 25'	24W-25
Torch assembly 25' rubber	24W-25-R

125 Amp Air-cooled

Torch Description	Part Number	Torch Description	Part Number
Torch head *	9	Flex torch assembly w/valve 1 pc 12'6" rubber	9FV-12-R
Torch assembly 2 piece 12'6"	9-12-2	Flex torch assembly w/valve 2 piece 25'	9FV-25-2
Torch assembly 1 piece 12'6" braided	9-12-BR	Flex torch assembly w/valve 1 piece 25' braided	9FV-25-BR
Torch assembly 1 piece 12'6" rubber	9-12-R	Flex torch assembly w/valve 1 piece 25' rubber	9FV-25-R
Torch assembly 2 piece 25'	9-25-2	Torch head 180 degrees *	9P
Torch assembly 1 piece 25' braided	9-25-BR	Torch assembly 180 degrees 2 piece 12'6"	9P-12-2
Torch assembly 1 piece 25' rubber	9-25-R	Torch assembly 180 degrees 1 pc 12'6" rubber	9P-12-R
Flex torch head *	9F	Torch assembly 180 degrees 2 piece 25'	9P-25-2
Flex torch assembly 2 piece 12'6"	9F-12-2	Torch assembly 180 degrees 1 piece 25' rubber	9P-25-R
Flex torch assembly 1 piece 12'6" braided	9F-12-BR	Torch head w/valve *	9V
Flex torch assembly 1 piece 12'6" rubber	9F-12-R	Torch assembly w/valve 2 piece 12'6"	9V-12-2
Flex torch assembly 2 piece 25'	9F-25-2	Torch assembly w/valve 1 piece 12'6" braided	9V-12-BR
Flex torch assembly 1 piece 25' braided	9F-25-BR	Torch assembly w/valve 1 piece 12'6" rubber	9V-12-R
Flex torch assembly 1 piece 25' rubber	9F-25-R	Torch assembly w/valve 2 piece 25'	9V-25-2
Flex torch head w/valve *	9FV	Torch assembly w/valve 1 piece 25' braided	9V-25-BR
Flex torch assembly w/valve 2 piece 12'6"	9FV-12-2	Torch assembly w/valve 1 piece 25' rubber	9V-25-R
Flex torch assembly w/valve 1 pc 12'6" braided	9FV-12-BR		

150 Amp Air-cooled

Torch Description	Part Number	Torch Description	Part Number
Torch head *	17	Flex torch head w/valve *	17FV
Torch assembly 2 piece 12'6"	17-12-2	Flex torch assembly w/valve 2 piece 12'6"	17FV-12-2
Torch assembly 1 piece 12'6" braided	17-12-BR	Flex torch assembly w/valve 1 pc 12'6" braided	17FV-12-BR
Torch assembly 1 piece 12'6" rubber	17-12-R	Flex torch assembly w/valve 1 pc 12'6" rubber	17FV-12-R
Torch assembly 2 piece 25'	17-25-2	Flex torch assembly w/valve 2 piece 25'	17FV-25-2
Torch assembly 1 piece 25' braided	17-25-BR	Flex torch assembly w/valve 1 piece 25' braided	17FV-25-BR
Torch assembly 1 piece 25' rubber	17-25-R	Flex torch assembly w/valve 1 piece 25' rubber	17FV-25-R
Flex torch head *	17F	Torch head w/valve *	17V
Flex torch assembly 2 piece 12'6"	17F-12-2	Torch assembly w/valve 2 piece 12'6"	17V-12-2
Flex torch assembly 1 piece 12'6" braided	17F-12-BR	Torch assembly w/valve 1 piece 12'6" braided	17V-12-BR
Flex torch assembly 1 piece 12'6" rubber	17F-12-R	Torch assembly w/valve 1 piece 12'6" rubber	17V-12-R
Flex torch assembly 2 piece 25'	17F-25-2	Torch assembly w/valve 2 piece 25'	17V-25-2
Flex torch assembly 1 piece 25' braided	17F-25-BR	Torch assembly w/valve 1 piece 25' braided	17V-25-BR
Flex torch assembly 1 piece 25' rubber	17F-25-R	Torch assembly w/valve 1 piece 25' rubber	17V-25-R

* Standard

Air and Water-cooled

200 Amp Air-cooled

Torch Description	Part Number	Torch Description	Part Number
Torch head*	26	Flex torch head w/valve *	26FV
Torch assembly 2 piece 12'6"	26-12-2	Flex torch assembly w/valve 2 piece 12'6"	26FV-12-2
Torch assembly 1 piece 12'6" rubber	26-12-R	Flex torch assembly w/valve 1 pc 12'6" rubber	26FV-12-R
Torch assembly 2 piece 25'	26-25-2	Flex torch assembly w/valve 2 piece 25'	26FV-25-2
Torch assembly 1 piece 25' braided	26-25-BR	Flex torch assembly w/valve 1 piece 25' rubber	26FV-25-R
Torch assembly 1 piece 25' rubber	26-25-R	Torch head w/valve *	26V
Flex torch head *	26F	Torch assembly w/valve 2 piece 12'6"	26V-12-2
Flex torch assembly 2 piece 12'6"	26F-12-2	Torch assembly w/valve 1 piece 12'6" rubber	26V-12-R
Flex torch assembly 1 piece 12'6" rubber	26F-12-R	Torch assembly w/valve 2 piece 25'	26V-25-2
Flex torch assembly 2 piece 25'	26F-25-2	Torch assembly w/valve 1 piece 25' rubber	26V-25-R
Flex torch assembly 1 piece 25' braided	26F-25-BR		
Flex torch assembly 1 piece 25' rubber	26F-25-R		

200/250 Amp Water-cooled

Torch Description	Part Number	Torch Description	Part Number
Torch head*	20	Torch head with mechanical fittings*	20M
Torch assembly 2 piece 12'6"	20-12	Torch assembly w/mechanical fittings 12'6"	20M-12
Torch assembly 1 piece 12'6" rubber	20-12-R	Torch assembly w/mech. fittings 12'6" braided	20M-12-R
Torch assembly 2 piece 25'	20-25	Flex torch assembly w/mech. fittings 25'	20M-25
Torch assembly 1 piece 25' rubber	20-25-R	Flex torch assembly w/mech. fittings 25' braided	20M-25-R
Torch assembly 1 piece 36' rubber	20-36-R	Flex torch assembly w/mech. fittings 25' rubber	20M-50-R
Torch assembly 1 piece 50' rubber	20-50-R	Torch head 180 degrees *	20P
Flex torch head *	20F	Torch assembly 180 degrees 12'6" braided	20P-12-R
Flex torch assembly 2 piece 12'6"	20F-12-2	Torch assembly 180 degrees 25' braided	20P-25-R
Flex torch assembly 1 piece 12'6" braided	20F-12-R	Torch head 180 degrees flex (200A)	25
Flex torch assembly 1 piece 25'	20F-25	Torch assembly 180d flex (200A) 12'6" braided	25-12-R
Flex torch assembly 1 piece 25' braided	20F-25-R	Torch assembly 180d flex (200A) 25' braided	25-25-R

350/500 Amp Water-cooled

Torch Description	Part Number	Torch Description	Part Number
Torch head (350A) *	18	Torch head 180 degrees * (500A)	18P
Torch assembly 2 piece 12'6" (350A)	18-12	Torch assembly 180 degrees 12'6" (500A)	18P-12
Torch assembly 1 piece 12'6" braided (350A)	18-12-BR	Torch assembly 180 degrees 25' (500A)	18P-25
Torch assembly 2 piece 12'6" rubber (350A)	18-12-R	Flex torch assembly 25' (350A)	18F-25-2
Torch assembly 1 piece 25' (350A)	18-25	Torch head w/valve * (350A)	18V
Torch assembly 1 piece 25' rubber (350A)	18-25-R	Torch assy. w/valve 1 pc 12'6" rubber (350A)	18V-12-R
		Torch assy. w/valve 1 pc 25' rubber (350A)	18V-25-R

* Standard

TIG 24 Welding Torches

80 Amp Air-cooled, 180 Amp Water-cooled



TIG 24, 24V

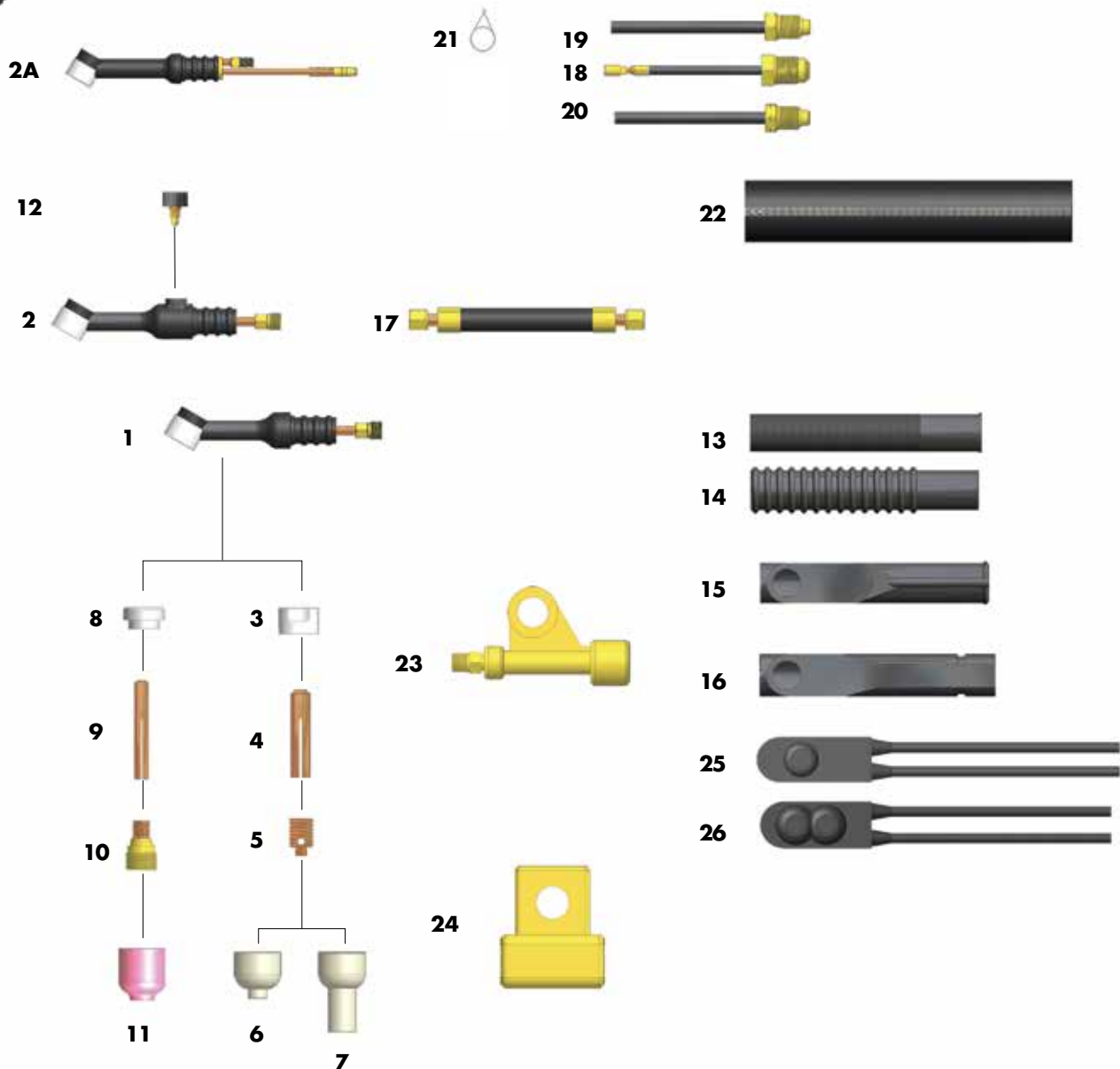
Technical Data:

Cooling:	Air-cooled
Capacity:	80 amp
Electrode range:	.020 - 3/32" (0.5 - 2.4 mm)
Body length:	8 5/32" (207 mm)
Head length:	1 1/8" (29 mm)
Head diameter:	5/8" (15 mm)
Weight: (head w/handle)	6.9 ounces (246 grams)

TIG 24W

Technical Data:

Cooling:	Water-cooled
Capacity:	180 amp
Weight: (head w/handle)	2.9 ounces (73 grams)



24, 24V, 24W

Electrode Ø Nozzle Size		.020" (0.5mm) #4	.040" (1.0mm) #5	1/16" (1.6mm) #6	3/32" (2.4mm) #7
Standard Set-up					
Item Number	Description				
3	Gasket	53N22	53N22	53N22	53N22
4	Collet	53N15	53N16	53N14	24C-332
5	Collet body	53N17	53N18	53N19	24CB-332
6	Alumina nozzle	53N24A (1/4")	53N25A (5/16")	53N27A (3/8")	-
N/S	lava nozzle	53N24	53N25	53N27	-
7	Long lava nozzle	53N28	-	53N26	-

* Additional nozzle sizes available upon request.

Nozzle Size		#4	#5	#6	#7
Gas Lens Set-up					
Item Number	Description				
8	Insulator	53N66	53N66	53N66	53N66
9	Small gas lens collet	53N62	53N63	53N64	24GLC-332
10	Small gas lens	45V41	45V42	45V43	45V44
11	Alumina nozzle	53N58	53N59	53N60	53N61

Item No.	Description	Part No.	Item No.	Description	Part No.	Item No.	Description	Part No.
1	Torch body 60°	24-60D	15	Rubber boot for SW1, SW1F	BS-1	20	Water hose	
2	Torch body w/valve	24V-60D		Rubber boot for SW2-0	BS-2		Vinyl 12.5 ft	45V07
2A	Torch body 60°	24W-60D	16	Snap-on boot for SW1, SW1F	BS-1S		Braided 12.5 ft	45V07R
N/S	Torch body 90°	24W-90D		Snap-on boot for SW2-0	BS-2S		Vinyl 25 ft	45V08
3	Gasket/insulator	53N22	17	Power cables for 24, 24V			Braided 25 ft	45V08R
4	Collet	see chart		Rubber 12.5 ft	56Y38R	21	Hose clamp	53N04
5	Collet body	see chart		Rubber 25 ft	56Y97R	22	Cable cover 3" x 10 ft	CC-3-10
6	Nozzle	see chart	18	Power cable for 24W			Cable cover 3" x 22 ft	CC-3-22
7	Nozzle	see chart		Vinyl 12.5 ft	45V03		Cable cover 3" x 50 ft	CC-3-50
8	Insulator	53N66		Braided 12.5 ft	45V03R	23	Power cable adapter, 24	53N43
9	Small gas lens collet	see chart		Vinyl 25 ft	45V04	24	Power cable adapter, 24W	45V11
10	Small gas lens	see chart		Braided 25 ft	45V04R	25	Switch momentary	
11	Nozzle	see chart	19	Gas hose			Bulb w/ 6" leads	SW1
12	Valve stem	VS-2		Vinyl 12.5 ft	45V09		Flat w/6" leads	SW1F
13	Handle, smooth	H-100		Braided 12.5 ft	45V09R	26	Switch off/on w/ 6" leads	SW2-0
14	Handle, ribbed	H-100R		Vinyl 25 ft	45V10			
				Braided 25 ft	45V10R			

TIG 9 Welding Torches

125 Amp Air-cooled



TIG 9, 9V, 9F, 9FV

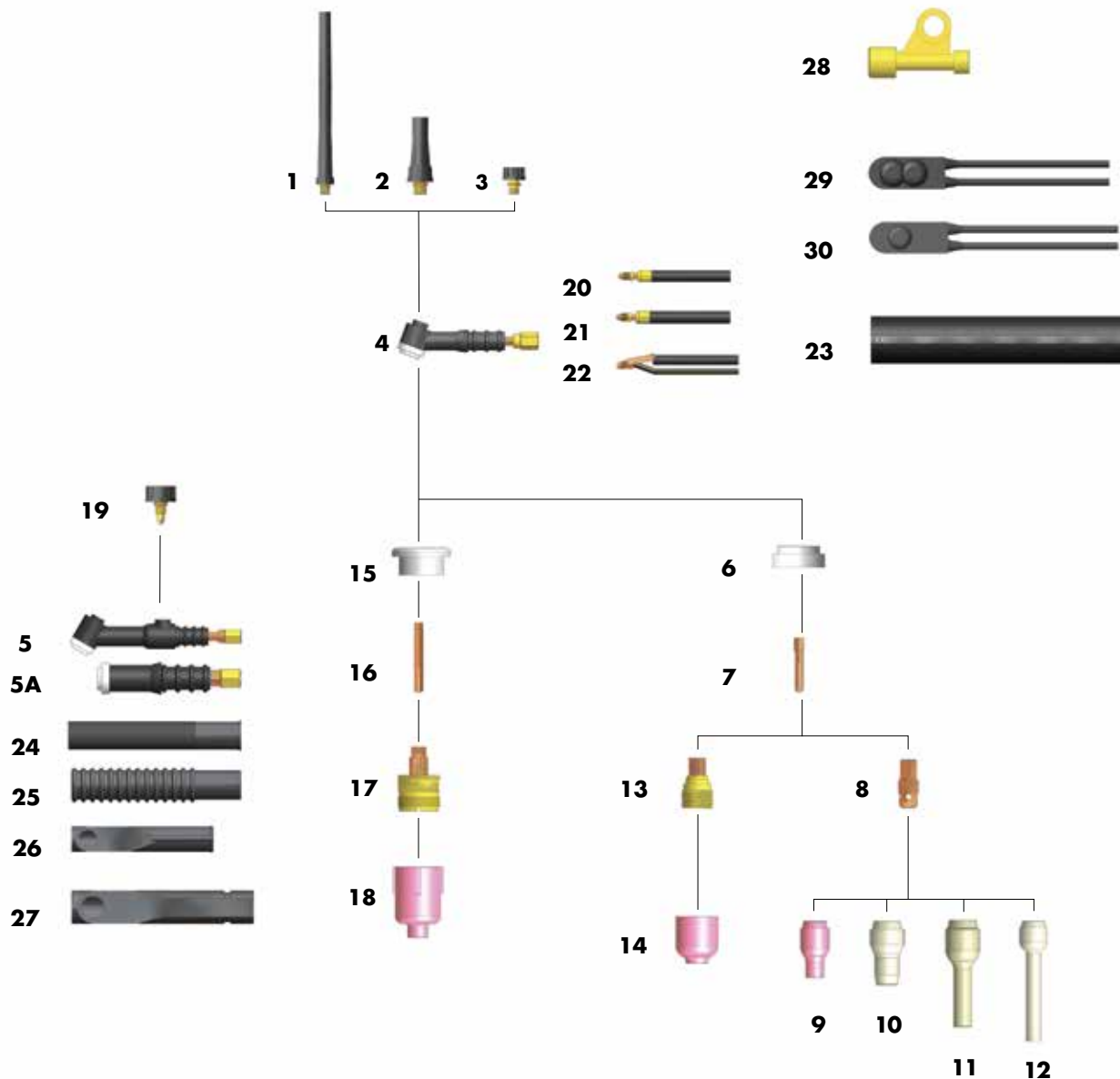
Technical Data:

Electrode range:	.020 - 3/32"	(0.5 - 2.4 mm)
Body length	6 15/16"	(176 mm)
Head length:	Short	1 1/4" (32 mm)
	Medium	2 7/16" (62 mm)
	Long	6 1/4" (159 mm)
Head diameter	3/4"	(19 mm)
Weight: (head w/ handle)	3.0 ounces	(84 grams)

TIG 9P

Technical Data:

Electrode range:	.020 - 3/32"	(0.5 - 2.4 mm)
Body length	6 5/8"	(168 mm)
Head diameter	3/4"	(19 mm)
Weight: (head w/handle)	2.2 ounces	(62 grams)



9, 9V, 9F, 9FV

Electrode Ø Nozzle Size		.020" (0.5mm) #4	.040" (1.0mm) #5	1/16" (1.6mm) #6	3/32" (2.4mm) #7	1/8" (3.2mm) #8
Standard Set-up						
Item Number	Description					
6	Gasket	598882	598882	598882	598882	598882
7	Collet	13N20	13N21	13N22	13N23	13N24
8	Collet body	13N25	13N26	13N27	13N28	13N29
9	Alumina nozzle	13N08 (1/4")	13N09 (5/16")	13N10 (3/8")	13N11 (7/16")	13N12 (1/2")
10	Lava nozzle	13N14	13N15	13N16	13N17	13N18
11	Long lava nozzle	796F71	796F72	796F73	-	-
12	X-long lava nozzle	796F75	796F76	796F77	-	-

Nozzle Size		#4	#5	#6	#7	#8
Small Gas Lens Set-up						
Item Number	Description					
6	Gasket	598882	598882	598882	598882	598882
7	Collet	13N20	13N21	13N22	13N23	13N24
13	Sm gas lens	45V41	45V42	45V43	45V44	45V45
14	Alumina nozzle	53N58 (1/4")	53N59 (5/16")	53N60 (3/8")	53N61 (7/16")	53N61S (1/2")

Nozzle Size		#4	#5	#6	#7	#8
Large Stubby Gas Lens Set-up						
Item Number	Description					
15	Lg Ø insulator	54N63-20	54N63-20	54N63-20	54N63-20	54N63-20
16	Collet	13N20L	13N21L	13N22L	13N23L	13N24L
17	Lg stubby gas lens	45V0204S	45V0204S	45V116S	45V64S	995795S
18	Alumina nozzle	-	-	57N75 (5/8")	-	57N74 (1/2")

* Additional nozzle sizes available upon request, including extra long lava nozzle and alumina nozzle sizes #10, #12 and #15.

Item No.	Description	Part No.	Item No.	Description	Part No.	Item No.	Description	Part No.
1	Back cap, long	41V24	17	Large stubby gas lens	see chart	24	Handle smooth	H-100
2	Back cap, medium	41V35	18	Nozzle	see chart	25	Handle ribbed	H-100R
3	Back cap, short	41V33	19	Valve stem for 9V	VS-2	26	Rubber boot for SW1, SW1F	BS-1
4	Torch body	9	20	Power cables			Rubber boot for SW2-0	BS-2
5	Torch body, flex	9F		1 pc rubber 12.5 ft	57Y01R	27	Snap-on boot for SW1, SW1F	BS-1S
	Torch body, flex with valve	9FV		1 pc rubber 25 ft	57Y03R		Snap-on boot for SW2-0	BS-2S
5A	Torch body	9P	21	1 pc braided rubber 12.5 ft	57Y01BR	28	Power cable adapter	105Z57
6	Gasket	see chart		1 pc braided rubber 25 ft	57Y03BR	29	Switch, off/on with 6" leads	SW2-0
7	Collet	see chart	22	2 pc w/braided gas 12.5 ft	57Y01-2	30	Switch momentary	
8	Collet body	see chart		2 pc w/braided gas 25 ft	57Y03-2		Bulb with 6" leads	SW1
9-12	Nozzle	see chart	23	Cable cover 3" x 10 ft	CC-3-10		Flat with 6" leads	SW1F
13	Small gas lens	see chart		Cable cover 3" x 22 ft	CC-3-22			
14	Nozzle	see chart		Cable cover 3" x 50 ft	CC-3-50			
15	Insulator	54N63-20		Cable cover 4" x 10 ft	CC-4-10			
16	Gas lens collet	see chart		Cable cover 4" x 22 ft	CC-4-22			
				Cable cover 4" x 50 ft	CC-4-50			

TIG 17 Welding Torches

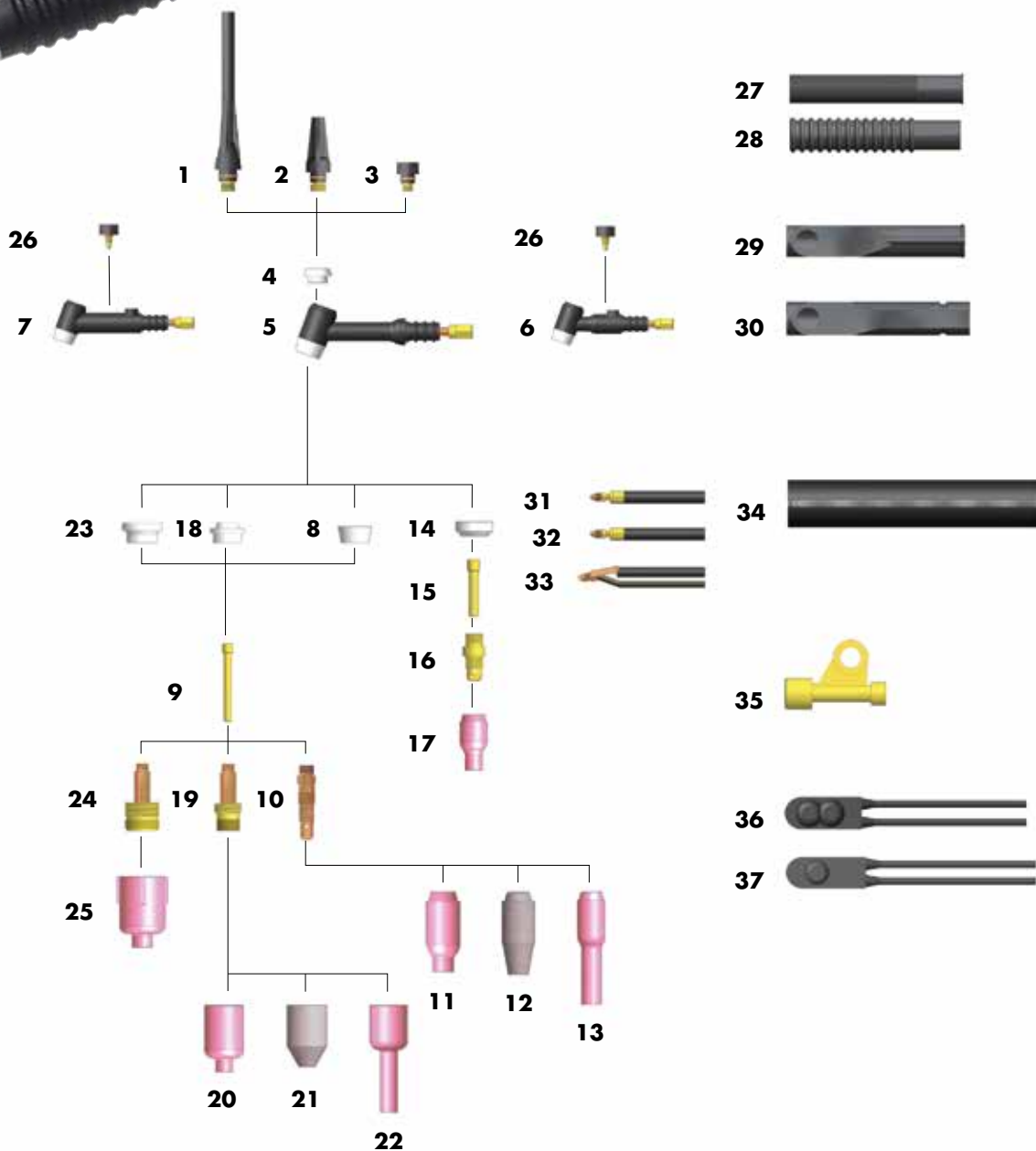
150 Amp Air-cooled



TIG 17, 17V, 17F, 17FV

Technical Data:

Electrode range:	.020 - 3/32"	(0.5 - 2.4 mm)
Body length	7 3/4"	(197 mm)
Head length:	Short	1 7/8" (48 mm)
	Medium	3 5/8" (92 mm)
	Long	5 7/16" (138 mm)
Head diameter	7/8"	(22 mm)
Weight: (head w/handle)	3.4 ounces	(95 grams)



17, 17V, 17F, 17FV

Electrode Ø		.020" (0.5mm)	.040" (1.0mm)	1/16" (1.6mm)	3/32" (2.4mm)	1/8" (3.2mm)	5/32" (4.0mm)
Nozzle Size		#4	#5	#6	#7	#8	#10
Standard Set-up							
Item Number	Description						
8	Gasket	18CG	18CG	18CG	18CG	18CG	18CG
9	Collet	10N21	10N22	10N23	10N24	10N25	54N20
10	Collet body	10N29	10N30	10N31	10N32	10N28	406488
11	Alumina nozzle	10N50 ^(1/4")	10N49 ^(5/16")	10N48 ^(3/8")	10N47 ^(7/16")	10N46 ^(1/2")	10N45 ^(5/8")
12	Lava nozzle	105Z43	105Z42	105Z44	105Z45	08N78	08N79
13	Long alum. nozzle	-	10N49L	10N48L	10N47L	-	-

Nozzle Size		#4	#5	#6	#7	#8	#10
Small Collet Body Set-up							
Item Number	Description						
14	Gasket	18CG20	18CG20	18CG20	18CG20	18CG20	-
15	Collet	-	-	10N23S	10N24S	10N25S	-
16	Collet body	17CB20	17CB20	17CB20	17CB20	17CB20	-
17	Alumina nozzle	13N08	13N09	13N10	13N11	13N12	13N13

Nozzle Size		#4	#5	#6	#7	#8	#10
Medium Gas Lens Set-up							
Item Number	Description						
18	Insulator	54N01	54N01	54N01	54N01	54N01	54N01
9	Collet	10N21	10N22	10N23	10N24	10N25	54N20
19	Med. gas lens	45V29	45V24	45V25	45V26	45V27	45V28
20	Alumina nozzle	54N18	54N17	54N16	54N15	54N14	54N19
21	Lava nozzle	54N35	54N34	54N33	54N32	54N31	-
22	Alumina nozzle	-	54N17L	54N16L	54N15L	54N14L	-

Nozzle Size		#4	#5	#6	#7	#8	#10
Large Gas Lens Set-up							
Item number	Description						
23	Lg Ø insulator	54N63	54N63	54N63	54N63	54N63	54N63
9	Collet	10N21	10N22	10N23	10N24	10N25	54N20
24	Lg Ø gas lens	45V0204	45V0204	45V116	45V64	995795	45V63
25	Alumina nozzle	-	-	57N75 ^(5/8")	-	57N74	53N88

* Additional nozzle sizes available upon request, including lava nozzle and alumina nozzle sizes #11, #12 and #15.

Item No.	Description	Part No.	Item No.	Description	Part No.	Item No.	Description	Part No.
1	Back cap, long	57Y02	16	Stubby collet body	17CB20	31	Power cables	
2	Back cap, medium	300M	17	Nozzle	see chart		1 pc rubber 12.5 ft	57Y01R
3	Back cap, short	57Y04	18	Insulator	54N01		1 pc rubber 25 ft	57Y03R
4	Back insulator	18-7	19	Medium gas lens	see chart	32	1 pc braided rubber 12.5 ft	57Y01BR
5	Torch body	17	20	Nozzle	see chart		1 pc braided rubber 25 ft	57Y03BR
	Torch body, flex	17F	21	Lava nozzle	see chart	33	2 pc w/braided gas 12.5 ft	57Y01-2
6	Torch body, with valve	17V	22	Large lava nozzle	see chart		2 pc w/braided gas 25 ft	57Y03-2
7	Flex with valve	17FV	23	Insulator	53N63	34	Cable cover 3" x 10 ft	CC-3-10
8	Gasket	see chart	24	Large gas lens	see chart		Cable cover 3" x 22 ft	CC-3-22
9	Collet	see chart	25	Nozzle	see chart		Cable cover 3" x 50 ft	CC-3-50
10	Collet body	see chart	26	Valve stem for 17VF, 17V	VS-2	35	Power cable adapter	105Z57
11	Nozzle	see chart	27	Handle smooth	H-100	36	Switch, off/on with 6" leads	SW2-0
12	Nozzle	see chart	28	Handle ribbed	H-100R	37	Switch momentary	
13	Nozzle	see chart	29	Rubber boot for SW1, SW1F	BS-1		Bulb with 6" leads	SW1
14	Insulator	18CG20		Rubber boot for SW2-0	BS-2		Flat with 6" leads	SW1F
15	Stubby collet	see chart	30	Snap-on boot for SW1, SW1F	BS-1S			
				Snap-on boot for SW2-0	BS-2S			

TIG 26 Welding Torches

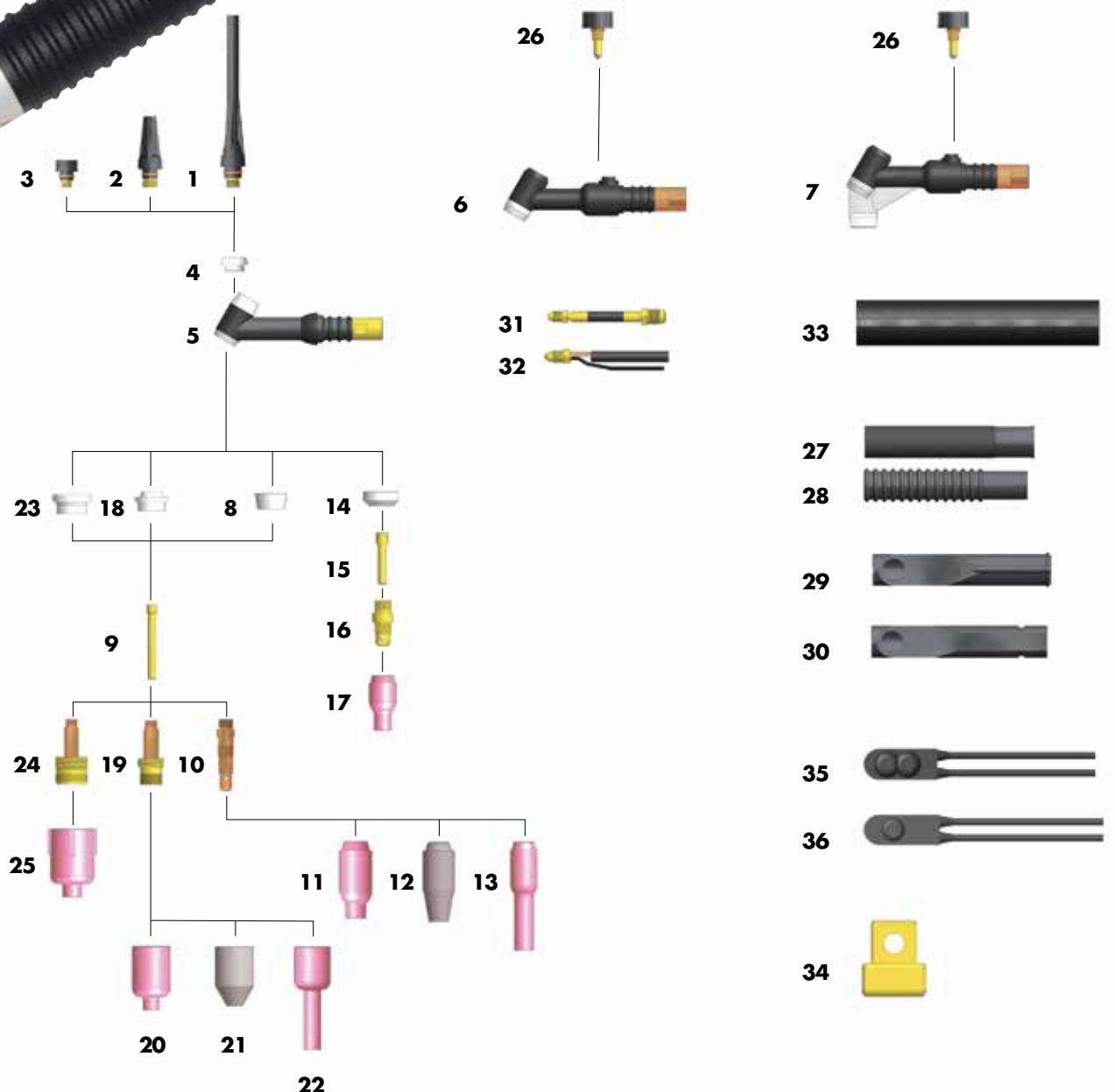
200 Amp Air-cooled



TIG 26, 26V, 26F, 26FV

Technical Data:

Electrode range:	.020 - 5/32" (0.5 - 4.0 mm)	
Body length	9" (229 mm)	
Head length:	Short	1 7/8" (48 mm)
	Medium	3 5/8" (92 mm)
	Long	5 3/8" (136 mm)
Head diameter	7/8" (22 mm)	
Weight: (head w/handle)	7.7 ounces (216 grams)	



26, 26V, 26F, 26FV

Electrode Ø	.020" (0.5mm)	.040" (1.0mm)	1/16" (1.6mm)	3/32" (2.4mm)	1/8" (3.2mm)	5/32" (4.0mm)	
Nozzle Size	#4	#5	#6	#7	#8	#10	
Standard Set-up							
Item Number	Description						
8	Gasket	18CG	18CG	18CG	18CG	18CG	
9	Collet	10N21	10N22	10N23	10N24	10N25	54N20
10	Collet body	10N29	10N30	10N31	10N32	10N28	406488
11	Alumina nozzle	10N50 ^(1/4")	10N49 ^(5/16")	10N48 ^(3/8")	10N47 ^(7/16")	10N46 ^(1/2")	10N45 ^(5/8")
12	Lava nozzle	105Z43	105Z42	105Z44	105Z45	08N78	08N79
13	Long alum. nozzle	-	10N49L	10N48L	10N47L	-	-

Nozzle Size	#4	#5	#6	#7	#8	#10	
Small Collet Body Set-up							
Item number	Description						
14	Gasket	18CG20	18CG20	18CG20	18CG20	18CG20	-
15	Collet	-	-	10N23S	10N24S	10N25S	-
16	Collet body	17CB20	17CB20	17CB20	17CB20	17CB20	-
17	Alumina nozzle	13N08	13N09	13N10	13N11	13N12	13N13

Nozzle Size	#4	#5	#6	#7	#8	#10	
Medium Gas Lens Set-up							
Item Number	Description						
18	Insulator	54N01	54N01	54N01	54N01	54N01	54N01
9	Collet	10N21	10N22	10N23	10N24	10N25	54N20
19	Med. gas lens	45V29	45V24	45V25	45V26	45V27	45V28
20	Alumina nozzle	54N18	54N17	54N16	54N15	54N14	54N19
21	Lava nozzle	54N35	54N34	54N33	54N32	54N31	-
22	Large lava nozzle	-	54N17L	54N16L	54N15L	54N14L	-

Nozzle size	#4	#5	#6	#7	#8	#10	
Large Gas Lens Set-up							
Item Number	Description						
23	Lg Ø insulator	54N63	54N63	54N63	54N63	54N63	54N63
9	Collet	10N21	10N22	10N23	10N24	10N25	54N20
24	Lg Ø gas lens	45V0204	45V0204	45V116	45V64	995795	45V63
25	Alumina nozzle	-	-	57N75	-	57N74	53N88

* Additional nozzle sizes available upon request, including lava nozzle and alumina nozzle sizes #11, #12 and #15.

Item No.	Description	Part No.	Item No.	Description	Part No.	Item No.	Description	Part No.
1	Back cap, long	57Y02	16	Stubby collet body	17CB20	31	Power cables	
2	Back cap, medium	300M	17	Nozzle	see chart		1 pc rubber 12.5 ft	46V28-R
3	Back cap, short	57Y04	18	Insulator	54N01		1 pc rubber 25 ft	46V30-R
4	Back insulator	18-7	19	Medium gas lens	see chart	32	2 pc w/braided gas 12.5 ft	46V28-2
5	Torch body	26	20	Nozzle	see chart		2 pc w/braided gas 25 ft	46V30-2
	Torch body, flex	26F	21	Lava nozzle	see chart	33	Cable cover 3" x 10 ft	CC-3-10
6	Torch body, flex with valve	26V	22	Large lava nozzle	see chart		Cable cover 3" x 22 ft	CC-3-22
7	Flex with valve	26FV	23	Insulator	53N63		Cable cover 3" x 50 ft	CC-3-50
8	Gasket/Insulator	18CG	24	Large gas lens	see chart		Cable cover 4" x 10 ft	CC-4-10
9	Collet	see chart	25	Nozzle	see chart		Cable cover 4" x 22 ft	CC-4-22
10	Collet body	see chart	26	Valve stem for 26V, 26FV	VS-1		Cable cover 4" x 50 ft	CC-4-50
11	Nozzle	see chart	27	Handle smooth	H200	34	Power cable adapter	45V62
12	Nozzle	see chart	28	Handle ribbed	H200R	35	Switch, off/on with 6" leads	SW2-0
13	Nozzle	see chart	29	Rubber boot for SW1, SW1F	BL-1	36	Switch momentary	
14	Gasket/Insulator	18CG20		Rubber boot for SW2-0	BL-2		Bulb with 6" leads	SW1
15	Stubby collet	see chart	30	Snap-on boot for SW1, SW1F	BL-1S		Flat with 6" leads	SW1F
				Snap-on boot for SW2-0	BL-2S			

TIG 20 and 25 Welding Torches

200 and 250 Amp Water-cooled

TIG 20, 20F, 20M

Technical Data:

Capacity	250 amp
Electrode range:	.020 - 1/8" (0.5 - 3.2 mm)
Body length	7" (177 mm)
Head diameter	3/4" (18 mm)
Weight: (head w/ handle)	2.8 ounces (78 grams)

TIG 20P

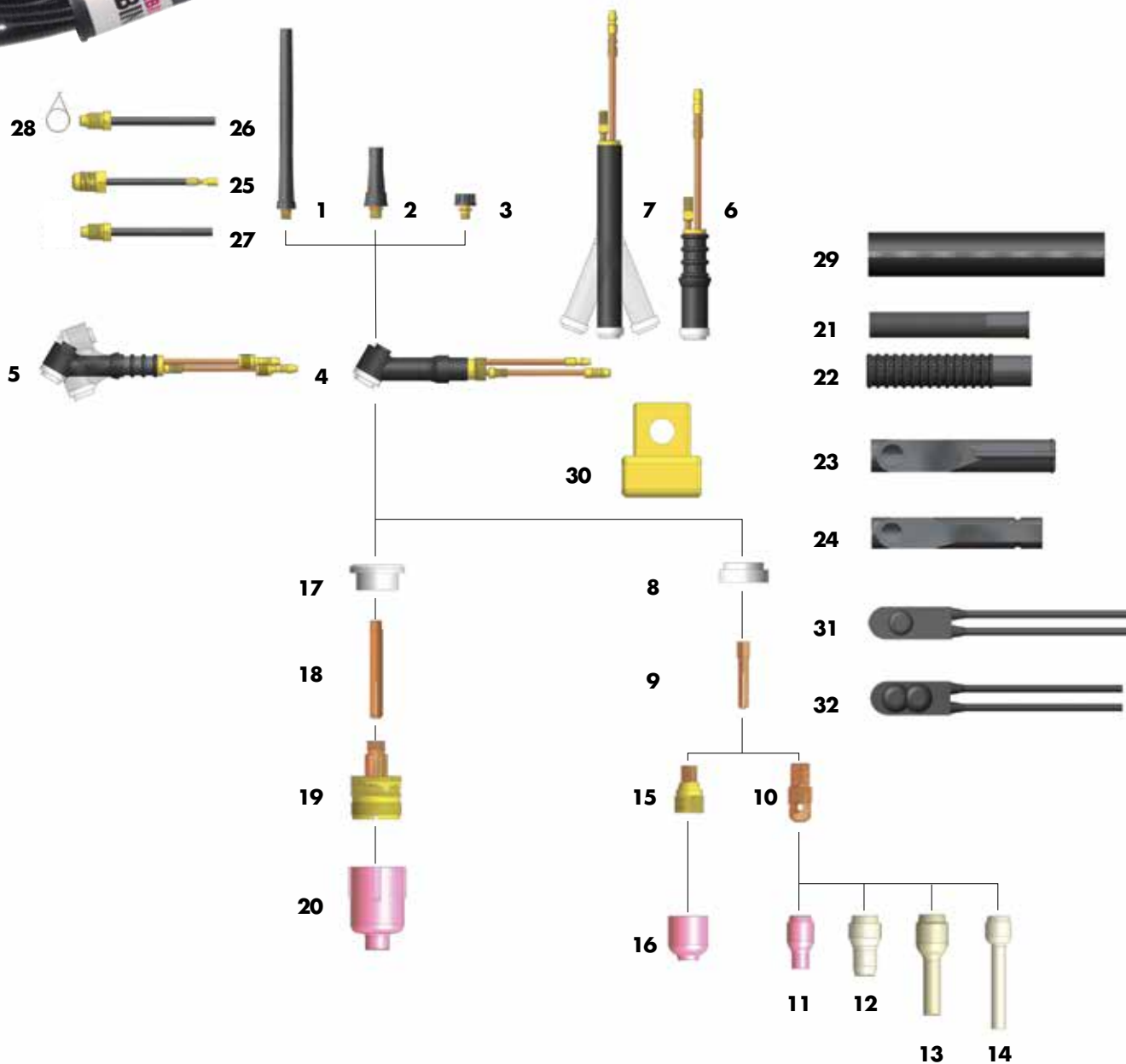
Technical Data:

Capacity	250 amp
Body length	6 1/2" (165 mm)
Head diameter	11/16" (17 mm)
Weight: (head w/ handle)	2.5 ounces (70 grams)

TIG 25

Technical Data:

Capacity	200 amp
Body length	10" (254 mm)
Head diameter	11/16" (17 mm)
Weight: (head w/ handle)	4 ounces (112 grams)



20, 20F, 20M, 20P, 25

Electrode Ø		.020" (0.5mm)	.040" (1.0mm)	1/16" (1.6mm)	3/32" (2.4mm)	1/8" (3.2mm)
Nozzle Size		#4	#5	#6	#7	#8
Standard Set-up						
Item number	Description					
8	Gasket	598882	598882	598882	598882	598882
9	Collet	13N20	13N21	13N22	13N23	13N24
10	Collet body	13N25	13N26	13N27	13N28	13N29
11	Alumina nozzle	13N08 (1/4")	13N09 (5/16")	13N10 (3/8")	13N11 (7/16")	13N12 (1/2")
12	Lava nozzle	13N14	13N15	13N16	13N17	13N18
13	Long lava nozzle	796F71	796F72	796F73	-	-
14	X-long lava nozzle	796F75	796F76	796F77	-	-

Nozzle Size		#4	#5	#6	#7	#8
Small Gas Lens Set-up						
Item number	Description					
8	Gasket	598882	598882	598882	598882	598882
9	Collet	13N20	13N21	13N22	13N23	13N24
15	Sm gas lens	45V41	45V42	45V43	45V44	45V45
16	Alumina nozzle	53N58	53N59	53N60	53N61	53N61S

Nozzle Size		#4	#5	#6	#7	#8
Large Stubby Gas Lens Set-up						
Item number	Description					
17	Lg Ø insulator	54N63-20	54N63-20	54N63-20	54N63-20	54N63-20
18	Collet	13N20L	13N21L	13N22L	13N23L	13N24L
19	Lg stubby gas lens	45V0204S	45V0204S	45V116S	45V64S	995895S
20	Alumina nozzle	-	-	57N75	-	57N74

* Additional nozzle sizes available upon request, including extra long lava nozzle and alumina nozzle sizes #10, #12 and #15.

Item No.	Description	Part No.	Item No.	Description	Part No.	Item No.	Description	Part No.
1	Back cap, long	41V24	19	Large stubby gas lens	see chart	27	Water hose	
2	Back cap, medium	41V35	20	Nozzle	see chart		Vinyl 12.5 ft	45V07
3	Back cap, short	41V33	21	Handle smooth, push-on	H-100		Vinyl 12.5 ft (20M) 20F	45V07M
4	Torch body	20	N/S	Handle smooth, threaded 20 only	53N06		Braided 12.5 ft	45V07R
n/s	Torch body, mechanical	20M	22	Handle ribbed, threaded 20 only	53N06R		Braided 12.5 ft (20M) 20F	45V07RM
5	Torch body, flex	20F	23	Rubber boot for SW1, SW1F	BS-1		Vinyl 25 ft	45V08
6	Torch body	20P		Rubber boot for SW2-0	BS-2		Vinyl 25 ft (20M) 20F	45V08M
7	Torch body, flex	25	24	Snap-on boot for SW1, SW1F	BS-1S		Braided 25 ft	45V08R
8	Gasket/Insulator	see chart		Snap-on boot for SW2-0	BS-2S		Braided 25 ft (20M) 20F	45V08RM
9	Collet	see chart	25	Power cables		28	Hose clamp	53N04
10	Collet body	see chart		Vinyl 12.5 ft	45V03	29	Cable cover 3" x 10 ft	CC-3-10
11	Nozzle	see chart		Braided 12.5 ft	45V03R		Cable cover 3" x 22 ft	CC-3-22
12	Nozzle	see chart		Vinyl 25 ft	45V04		Cable cover 3" x 50 ft	CC-3-50
13	Long lava	see chart		Braided 25 ft	45V04R	30	Power cable adapter	45V11
14	Extra long lava	see chart	26	Gas hose		31	Switch momentary	
15	Small gas lens	see chart		Vinyl 12.5 ft	45V09		Bulb with 6" leads	SW1
16	Nozzle	see chart		Braided 12.5 ft	45V09R		Flat with 6" leads	SW1F
17	Insulator large diameter	see chart		Vinyl 25 ft	45V10	32	Switch, off/on with 6" leads	SW2-0
18	Gas lens collet	see chart		Braided 25 ft	45V10R			

TIG 18 Welding Torches

350 and 500 Amp Water-cooled



TIG 18, 18V

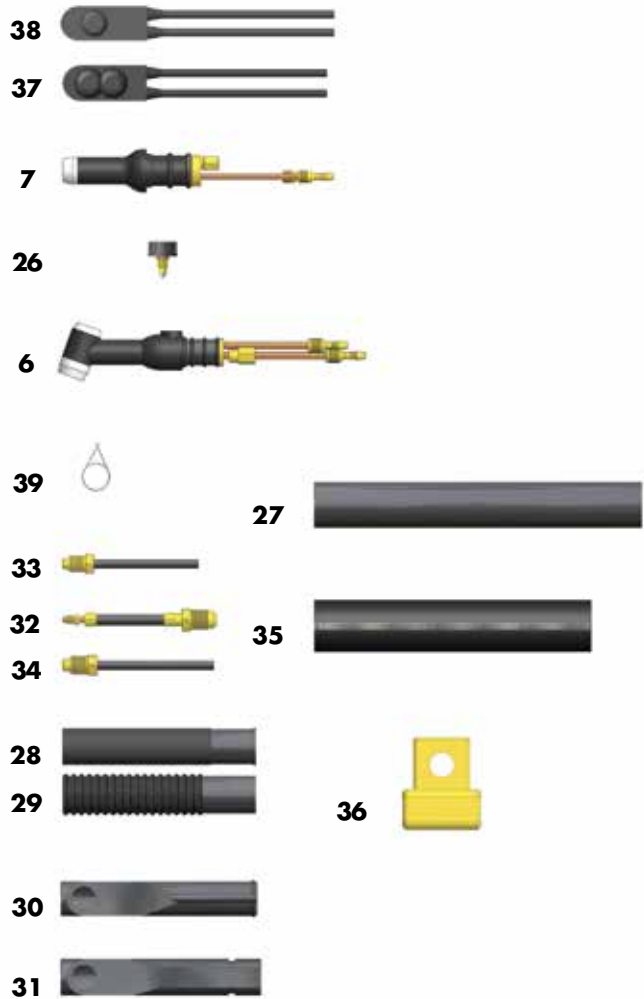
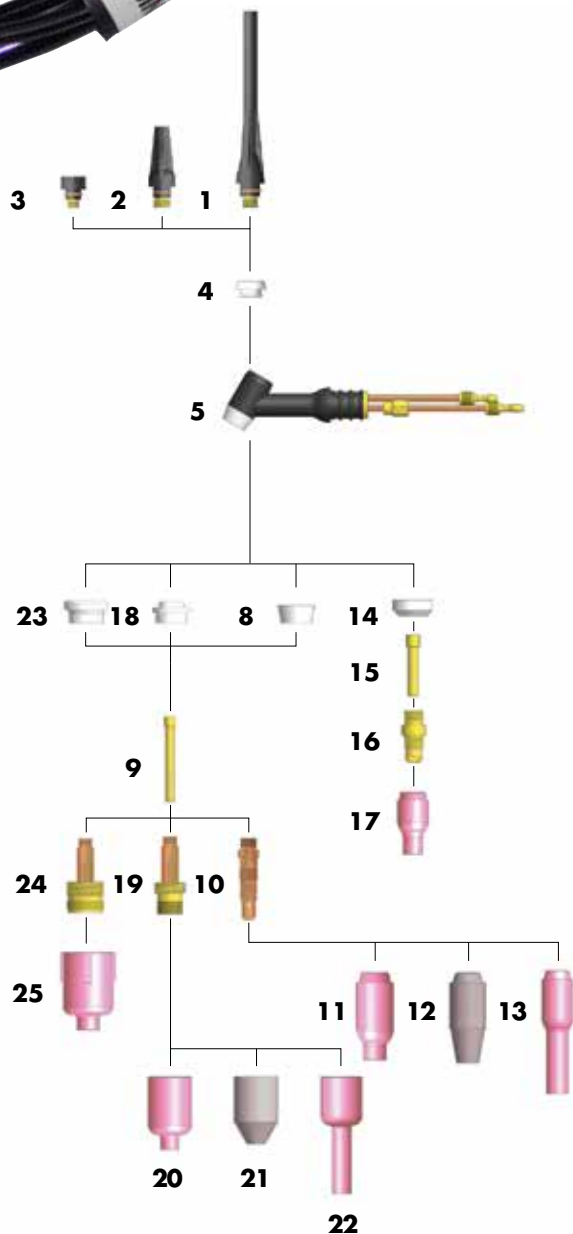
Technical Data:

Electrode range:	.020 - 5/32"	(0.5 - 4.0 mm)
Body length	8 5/8"	(219 mm)
Head length:	Short	3 3/4" (95 mm)
	Long	7 3/8" (187 mm)
Head diameter	1"	(25 mm)
Weight: (head w/handle)	6.2 ounces	(174 grams)

TIG 18P

Technical Data:

Electrode range:	.020 - 3/16"	(0.5 - 4.8 mm)
Body length	12 1/2"	(317 mm)
Head diameter	15/16"	(24 mm)
Weight: (head w/handle)	6.9 ounces	(193 grams)



18, 18V, 18P

	Electrode Ø	.020" (0.5mm)	.040" (1.0mm)	1/16" (1.6mm)	3/32" (2.4mm)	1/8" (3.2mm)	5/32" (4.0mm)
	Nozzle Size	#4	#5	#6	#7	#8	#10
Standard Set-up							
Item Number	Description						
8	Gasket	18CG	18CG	18CG	18CG	18CG	18CG
9	Collet	10N21	10N22	10N23	10N24	10N25	54N20
10	Collet body	10N29	10N30	10N31	10N32	10N28	406488
11	Alumina nozzle	10N50	10N49	10N48	10N47	10N46	10N45
12	Lava nozzle	105Z43	105Z42	105Z44	105Z45	08N78	08N79
13	Long alum. nozzle	-	10N49L	10N48L	10N47L	-	-

Small Collet Body Set-up

Item Number	Description						
14	Gasket	18CG20	18CG20	18CG20	18CG20	18CG20	-
15	Collet	-	-	10N23S	10N24S	10N25S	-
16	Collet body	17CB20	17CB20	17CB20	17CB20	17CB20	-
17	Alumina nozzle	13N08	13N09	13N10	13N11	13N12	13N13

Medium Gas Lens Set-up

Item Number	Description						
18	Insulator	54N01	54N01	54N01	54N01	54N01	54N01
9	Collet	10N21	10N22	10N23	10N24	10N25	54N20
19	Med. gas lens	45V29	45V24	45V25	45V26	45V27	45V28
20	Alumina nozzle	54N18	54N17	54N16	54N15	54N14	54N19
21	Lava nozzle	54N35	54N34	54N33	54N32	54N31	-
22	Alumina nozzle	-	54N17L	54N16L	54N15L	54N14L	-

Large Gas Lens Set-up

Item Number	Description						
23	Lg Ø insulator	54N63	54N63	54N63	54N63	54N63	54N63
9	Collet	10N21	10N22	10N23	10N24	10N25	54N20
24	Lg Ø gas lens	45V0204	45V0204	45V116	45V64	995795	45V63
25	Alumina nozzle	-	-	57N75	-	57N74	53N88

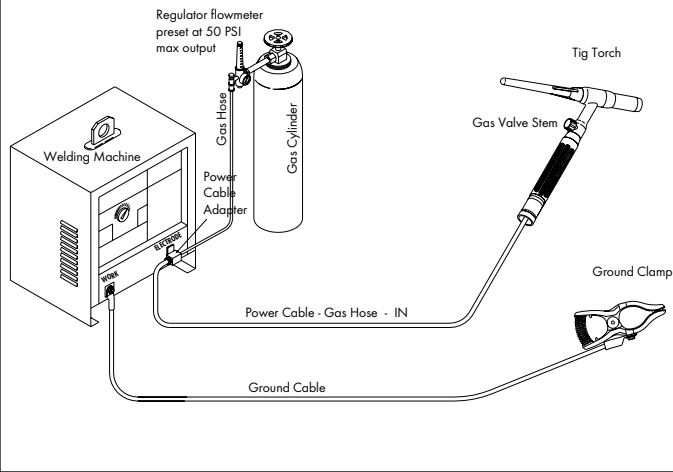
* Additional nozzle sizes available upon request, including lava nozzle and alumina nozzle sizes #11, #12 and #15.

Item No.	Description	Part No.	Item No.	Description	Part No.	Item No.	Description	Part No.
1	Back cap, long	57Y02	21	Nozzle	see chart	33	Gas hose (cont.)	
2	Back cap, medium	300M	22	Nozzle	see chart		Vinyl 25 ft	41V30
3	Back cap, short	57Y04	23	Large gas lens insulator	53N63		Braided 25 ft	41V30R
4	Back insulator	18-7	24	Large gas lens	see chart	34	Water hose	
5	Torch body	18	25	Nozzle	see chart		Vinyl 12.5 ft	40V74
6	Torch body with valve	18V	26	Valve stem for 26V, 26FV	VS-2		Braided 12.5 ft	40V74R
7	Torch body	18P	27	Barrel (18P)	18PB		Vinyl 25 ft	41V32
8	Gasket	see chart	28	Handle textured	H-200		Braided 25 ft	41V32R
9	Collet	see chart	29	Handle ribbed	H-200R	35	Cable cover 3" x 10 ft	CC-3-10
10	Collet body	see chart	30	Rubber boot for SW1, SW1F	BL-1		Cable cover 3" x 22 ft	CC-3-22
11	Nozzle	see chart		Rubber boot for SW2-0	BL-2		Cable cover 3" x 50 ft	CC-3-50
12	Nozzle	see chart	31	Snap-on boot for SW1, SW1F	BL-1S		Cable cover 4" x 10 ft	CC-4-10
13	Nozzle	see chart		Snap-on boot for SW2-0	BL-2S		Cable cover 4" x 22 ft	CC-4-22
14	Stubby gasket	18CG20	32	Power cables			Cable cover 4" x 50 ft	CC-4-50
15	Collet	see chart		Vinyl 12.5 ft	40V64	36	Power cable adapter	45V11
16	Stubby collet body	see chart		Braided 12.5 ft	40V64R	37	Switch, off/on with 6" leads	SW2-0
17	Nozzle	see chart		Vinyl 25 ft	41V29	38	Switch momentary	
18	Medium gas lens insulator	see chart		Braided 25 ft	41V29R		Bulb with 6" leads	SW1
19	Medium gas lens	see chart	33	Gas hose			Flat with 6" leads	SW1F
20	Nozzle	see chart		Vinyl 12.5 ft	40V75	39	Hose clamp	52N04
				Braided 12.5 ft	40V75R			

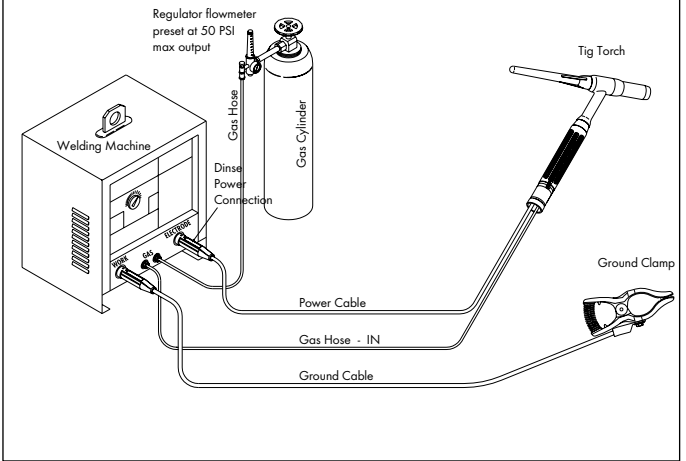
Hook-up Installation Diagrams

Air-cooled TIG Torches

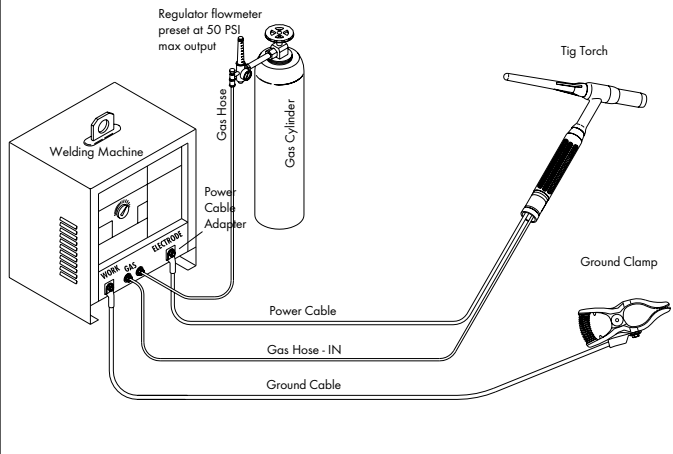
Air Cooled TIG Torch - With Valve - Flex Power Cable



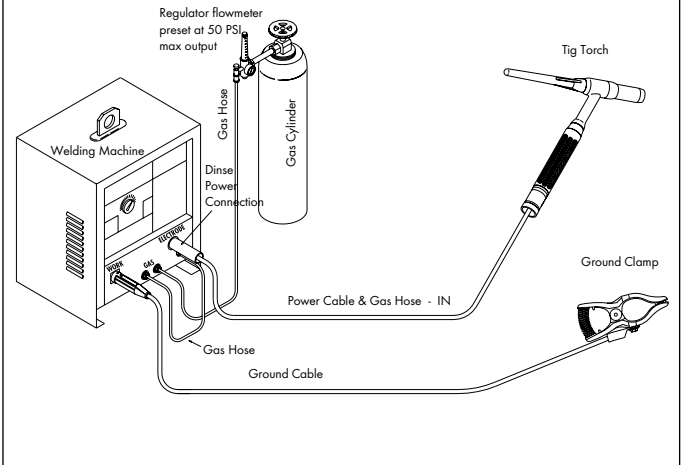
Air-cooled TIG Torch - Without Valve - 2 Piece Cable - Dinse Connection



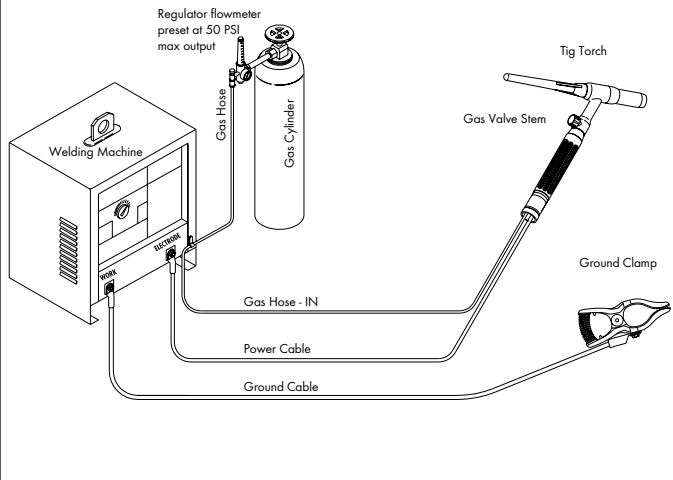
Air-cooled TIG Torch - Without Valve - 2 Piece Cable



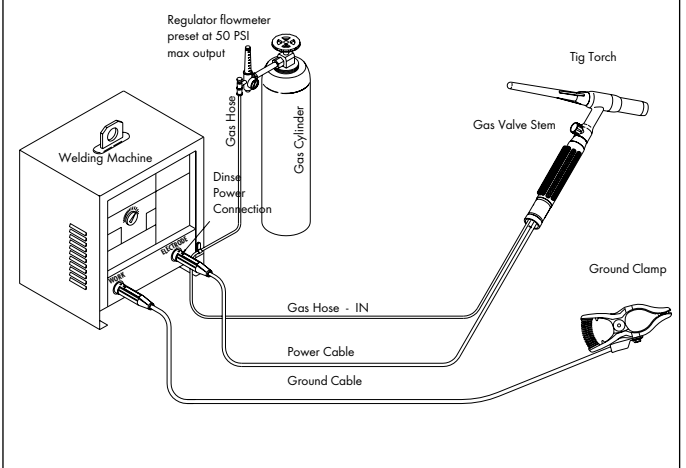
Air-cooled TIG Torch - Without Valve - Flex Power Cable - Dinse Connector



Air-cooled TIG Torch - With Valve - 2 Piece Cable



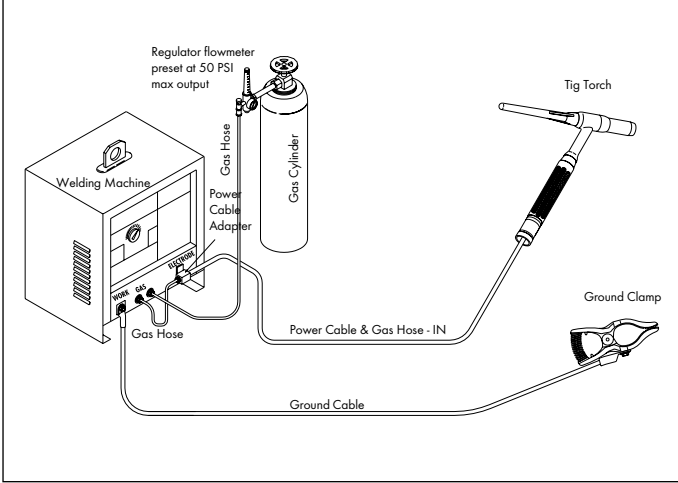
Air-cooled TIG Torch - With Valve - 2 Piece Cable - Dinse Connection



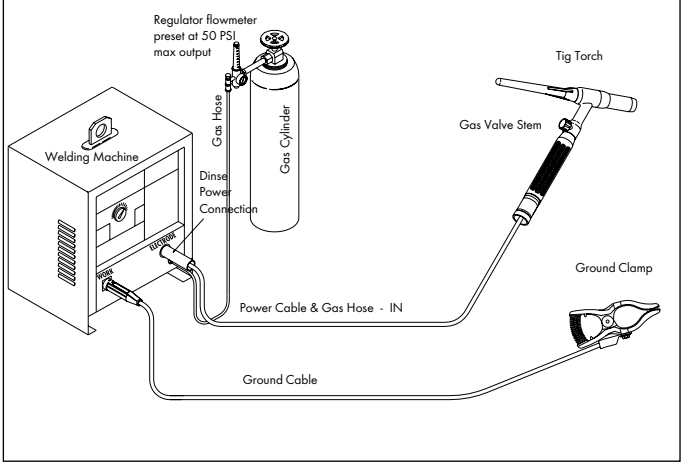
Hook-up Installation Diagrams

Air-cooled TIG Torches

Air-cooled TIG Torch - Without Valve - Flex Power Cable

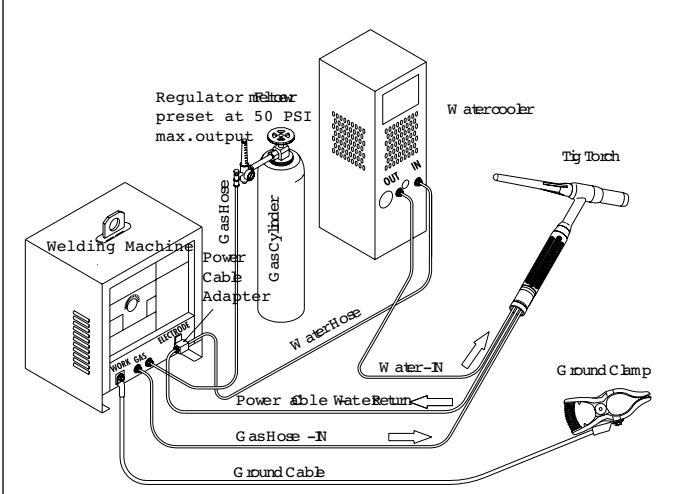


Air-cooled TIG Torch - With Valve - Flex Power Cable - Dinse Connector

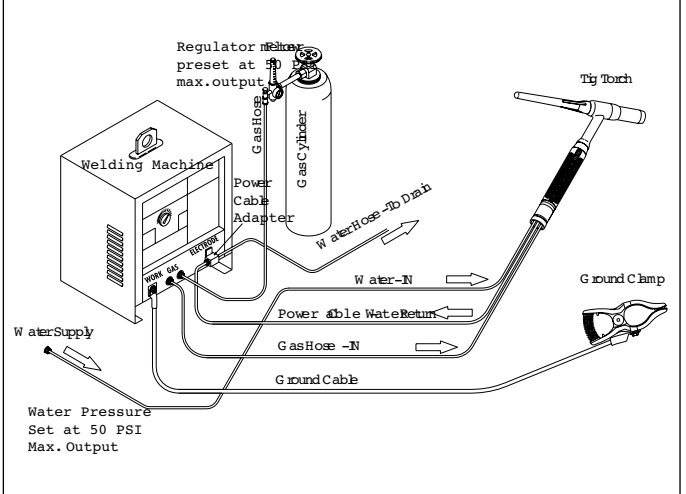


Water-cooled TIG Torches

Water Cooled TIG Torch - Water Cooler

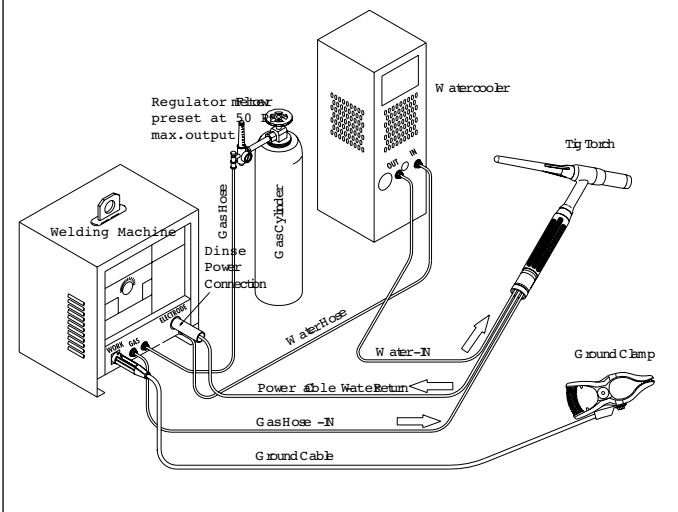


Water Cooled TIG Torch - Water Supply

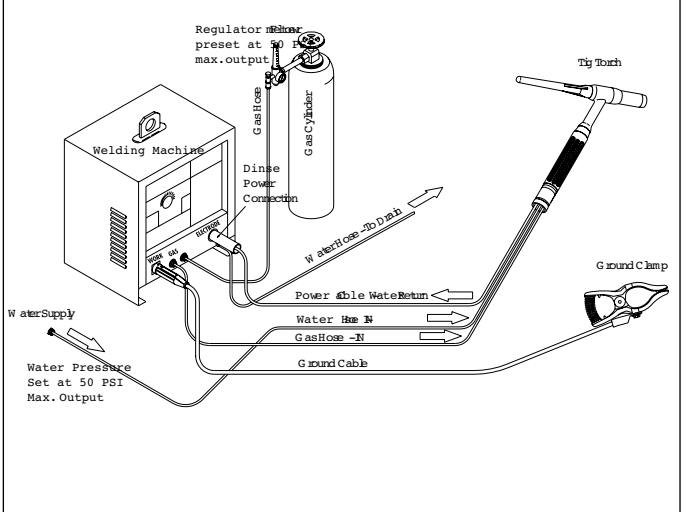


Water Pressure Set at 50 PSI Max. Output

Water Cooled TIG Torch - Water Cooler - Dinse Connector



Water Cooled TIG Torch - Water Supply - Dinse Connector



Water Pressure Set at 50 PSI Max. Output

Accessory, Master and Hook-up Kits

Accessory Kits

Part Number	Torches	Kit Contains	Quantity
AK-1	9	Long back cap	1
		Collets - .040, 1/16	2
		Collet bodies - .040, 1/16	2
		Alumina nozzles - #4, #5, #6	3
		7" Tungsten - .040, 1/16	2
AK-2	17	Short back cap	1
		Collets - .040, 1/16, 3/32	3
		Collet bodies - .040, 1/16, 3/32	3
		Alumina nozzles - #4, #5, #6	3
		7" Tungsten - .040, 1/16, 3/32	3
AK-3	18, 26	Short back cap	1
		Collets - 1/16, 3/32, 1/8	3
		Collet bodies - 1/16, 3/32, 1/8	3
		Alumina nozzles - #5, #6, #8	3
		7" Tungsten - 1/16, 3/32, 1/8	3
AK-4	20	Long back cap	1
		Collets - 1/16, 3/32, 1/8	3
		Collet bodies - 1/16, 3/32, 1/8	3
		Alumina nozzles - #5, #6, #7	3
		7" Tungsten - 1/16, 3/32, 1/8	3
AK-5	24	Collets - .040, 1/16	2
		Collet bodies - .040, 1/16	2
		Lava nozzles - #4, #5, #6	3
		7" Tungsten - .040, 1/16	2

Master Accessory Kit for Torch 9 and 20

Part Number	Torches	Kit Contains	Quantity	
MAK-1S	9, 20	Back caps	Short	1
			Medium	2
			Long	1
		Collets	.040	2
			1/16	4
			3/32	4
			1/8	2
		Collet bodies	.040	1
			1/16	2
			3/32	2
			1/8	2
		Gas lenses	.040	1
			1/16	1
3/32	1			
1/8	1			
		Cup gasket	1	
		O-rings for back caps	4	
		Wire clamps	10	
		Parts box	1	

Master Accessory Kit for Torches 17, 18 and 26

Part Number	Torches	Kit Contains	Quantity	
MAK-1S	17, 18, 26	Back caps	Short Long	1 1
		Collets	.040	1
1/16	3			
3/32	3			
1/8	2			
5/32	1			
Collet bodies	.040	1		
	1/16	2		
	3/32	2		
	1/8	2		
Gas lenses	.040	1		
	1/16	1		
	3/32	1		
	1/8	1		
		Cup gasket	1	
		O-rings for back caps	4	
		Parts box	1	

Hook-up Kits

Kit Part Number	Torches	Kit Contains	Item part number	Quantity
HK-1	18, 20, 20F, 24W, 25	Power cable adapter	45V11	1
		12.5" water hoses	40V76	2
		Water hose coupler	11N18	1
		Water Adapters (1/4" NPT male)		2
		12.5" Gas hose	40V77	1
HK-2	9, 17, 24, 26 air-cooled torches w/valve	12.5" Gas hose	40V77	1
HK-3	9, 17, 24, 26	12.5" Gas hose	40V77	1
		18" Gas hose		1

* Order the correct power cable adapter.

Welding Accessories

Tungsten Electrodes

The nuts and bolts for the best welding results.

For tungsten inert gas (TIG) welding, the non-fusing and temperature resistant tungsten electrode, in addition to the torch, the energy source and the inert gas, is a major factor for obtaining optimum results.

The following must be taken into consideration when selecting the tungsten electrode:

- Type of tungsten electrode
- Diameter of electrode
- Quality of the polished section and roughness of the electrode
- Tip geometry of the electrode



Influence of doping on the characteristics of the electrode.

Pure Tungsten

Undoped electrodes consist of pure tungsten. The main area of application of this type of electrode is the AC welding of aluminum alloys with excellent arc stability. The pure tungsten electrodes are not suitable for DC welding. Color coding: Pure = Green

E3®

Electrodes with rare earth (mixed oxides). In comparison to thoriated electrodes this electrode is less harmful to the environment and not radioactive. The electrodes offer excellent ignition characteristics and consistent welding properties. They are universal and suitable for all applications in the whole range of DC and AC welding for non-alloyed and high-alloyed steel, aluminium, titanium, nickel, copper and magnesium alloys. Because of their great ignition properties they are also suitable for automated welding. Due to the low electrode temperature, they offer an increased current carrying capacity and longer service life than thoriated electrodes. Color-coding: E3® = Purple

Lanthanated 1.5%, 2%

Lanthanated electrodes are suitable for applications in DC and AC welding. Their main areas of application are the welding of non-alloyed and high-alloyed steel, aluminum, titanium, nickel, copper and magnesium alloys. These electrodes are also suitable for the use in micro-plasma welding.

Ignition characteristics are enhanced with increased amounts of lanthanum oxide (La_2O_3). The overall service life and current carrying capacity is lower than the E3® electrodes.

Color coding: 1.5% = Gold, 2% = Blue

Ceriated 2%

By adding cerium oxide (CeO_2), these electrodes have an increased capacity compared to pure tungsten electrodes. However, the WCe electrodes have a lower capacity than the E3® and WL electrodes. Main areas of application are in the DC and AC welding of non-alloyed and high-alloyed steel, aluminum, titanium, nickel, copper and magnesium alloys in the low and middle current range. Color coding: 2% = Orange

Zirconiated

Tungsten electrodes with the addition of zirconium have a lower risk of contaminating fused materials from the tungsten. The area of application for this electrode is AC welding. They are suitable for DC welding to only a limited extent. Color coding: Brown

Tungsten Electrodes

Tungsten electrodes: 3 inch length (10 pcs)

Grade	Pure	E3®	Lanthanated 1.5%	Lanthanated 2%	Zirconiated	Ceriated 2%	
Ø	Color coding	Green	Purple	Gold	Blue	Brown	Orange
.040	040-3G	-	040-3GL	-	040-3GZ	040-3GC2	
1/16	116-3G	-	116-3GL	-	116-3GZ	116-3GC2	
3/32	332-3G	-	332-3GL	-	332-3GZ	332-3GC2	
1/8	18-3G	-	-	-	-	-	
5/32	532-3G	-	-	-	-	-	

Tungsten electrodes: 7 inch length (10 pcs**)

Grade	Pure	E3®	Lanthanated 1.5%	Lanthanated 2%	Zirconiated	Ceriated 2%	
Ø	Color coding	Green	Purple	Gold	Blue	Brown	Orange
.020	020-7G	020-7E3	020-7GL	020-7GL2	020-7GZ	020-7GC2	
.040	040-7G	040-7E3	040-7GL	040-7GL2	040-7GZ	040-7GC2	
1/16	116-7G	116-7E3	116-7GL	116-7GL2	116-7GZ	116-7GC2	
3/32	332-7G	332-7E3	332-7GL	332-7GL2	332-7GZ	332-7GC2	
1/8	18-7G	18-7E3	18-7GL	18-7GL2	18-7GZ	18-7GC2	
5/32	532-7G	532-7E3	532-7GL	-	532-7GZ	532-7GC2	
3/16	316-7G	316-7E3	316-7GL	-	316-7GZ	316-7GC2	
1/4	-	-	-	-	-	-	

** Electrodes with diameter of 3/16" or 1/4" are sold 5 per package.

Tungsten Grinders



Tungsten Grinder
Part # 88897030

The Wet Tungsten Grinder from ABICOR BINZEL provides wet diamond grinding for a smooth finish, minimally wastes your tungsten electrodes, and quickly adjust the grinding angle anywhere from 7.5° to 90°

Comes with Electrode Holder, 1/16, 3/32, & 1/8 clamps, grinding liquid and stand. 120V, 6Hz.



Tungsten Grinder Cutter
Part # 88897530

The Wet Tungsten Grinder Cutter from ABICOR BINZEL gives all the qualities of the grinder with two cut-off receptacles to quickly remove contaminated tungsten.

Comes with Electrode Holder, 1/16, 3/32, & 1/8 clamps and cut-ff clamps, cut-off collet tool, 2 receptacles for contaminated tungsten, grinding liquid and stand. 120V, 6Hz.



AutoGrind
Part # 88897830

The AutoGrind is game changing technology in the world of TIG. Extend the life of your diamond wheel and achieve the smoothest grinds quickly and precisely. The AutoGrind is easily programmable to save you time and money.

Product connects to either ABICOR BINZEL Grinder for simple operation. 120V, 6Hz.



HandiGrinder
Part # HG-110

ABICOR BINZEL's Handi-Grinder™ is the simple solution for on-site grinding of tungsten electrodes from 15° to 180°. Lightweight and easily manageable, the HandiGrinder grinds electrodes for a precise and stable concentrated welding arc. The Handi-Grinder has variable speeds and multiple grinding positions, extending the wheel life. 120V, 6Hz.



Binzel S.A. DE C. V.
Municipio Pabellon de Arteaga 102
Valle De Aguascalientes, 20358
San Francisco de los Romo, Ags. Mexico
Phone: +52(499) 973.0133
Fax: +52(499) 973.1388
Email: info@binzel.com.mx

ABICOR BINZEL USA, Inc.
650 Medimmune Ct., Suite 110
Frederick, MD 21703-8619
Phone: 1.800.542.4867
Fax: 1.301.846.4196
Email: customerservice@abicorusa.com

www.binzel-abicor.com